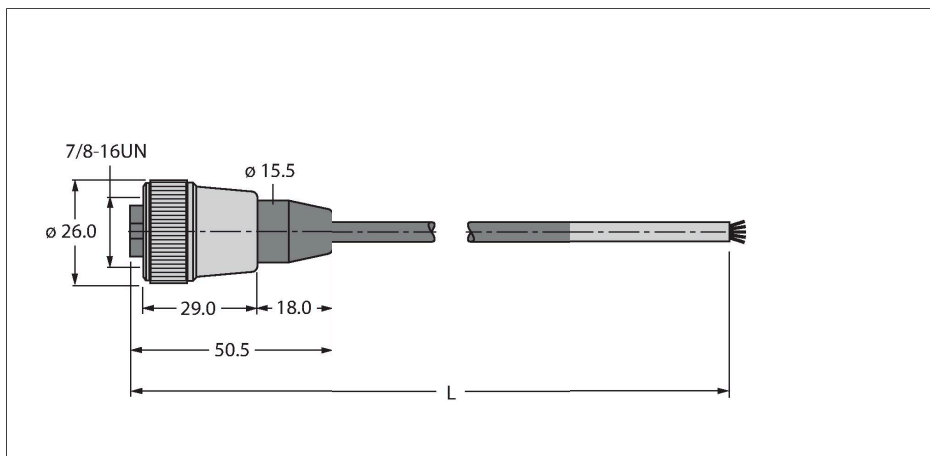


RKM52-2M

Power Supply Cable, PUR – Connection Cable

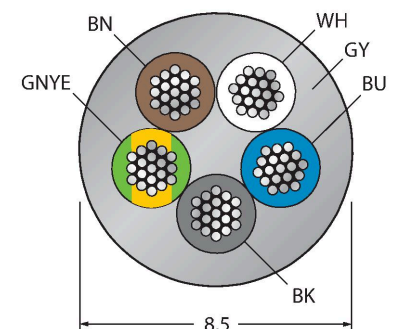


Features



- Power cable: $5 \times 1.5 \text{ mm}^2$
- Jacket material: PUR, color: gray
- Jacket diameter: 8.5 mm
- Suitable for drag chain use
- Oil resistant and flame retardant
- Halogen free
- End open
- 7/8" female, straight
- Cable length: 2.0 m

Cable Cross-Section



Contact assignment



Technical data

Type	RKM52-2M
ID	6604711
Connector A	Female, 7/8"-16 UN, Straight
Number of Pins	4+PE
Contacts	Metal, CuZn, Gold-plated
Contact carriers	Plastic, TPU, Black
Connector body	Plastic, TPU, Black
Coupling nut/screw	Brass, CuZn, Nickel-plated
Mechanical lifespan	> 100 Mating cycles
Pollution degree	3
Protection class	IP67, Only in screwed condition
Cable	
Cable diameter	$\varnothing 8.5 \text{ mm} \pm 0.30$
Cable length	2 m
Cable jacket	PUR, Gray
Shielding	no
Core insulation	PP
Core cross-section	$5 \times 1.5 \text{ mm}^2$
Arrangement of strands	$84 \times 0.15 \text{ mm}$
Core cross-section	1.5 mm^2
Core colors	BN, WH, BU, BK, GNYE
Electrical properties at +20 °C	
Rated voltage	240 V
Test voltage	500 V
Current	12 A
Mechanical and chemical properties	
Bending radius (flexible use)	$\geq 10 \times \varnothing$

Technical data

Ambient temperature range (stationary)	-40...+90 °C
Ambient temperature range (In motion)	0...+90 °C
Ambient temperature during drag chain operation	0...+90 °C
Other Features	
Qualified for drag chain use	yes
Halogen-free	yes
Oil-resistant	yes
Flame-retardant	yes