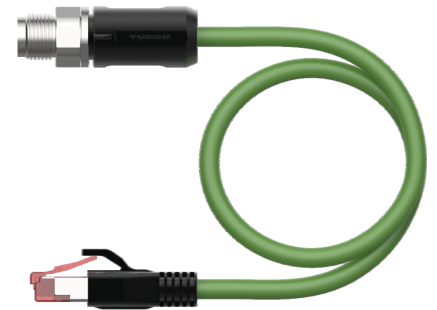
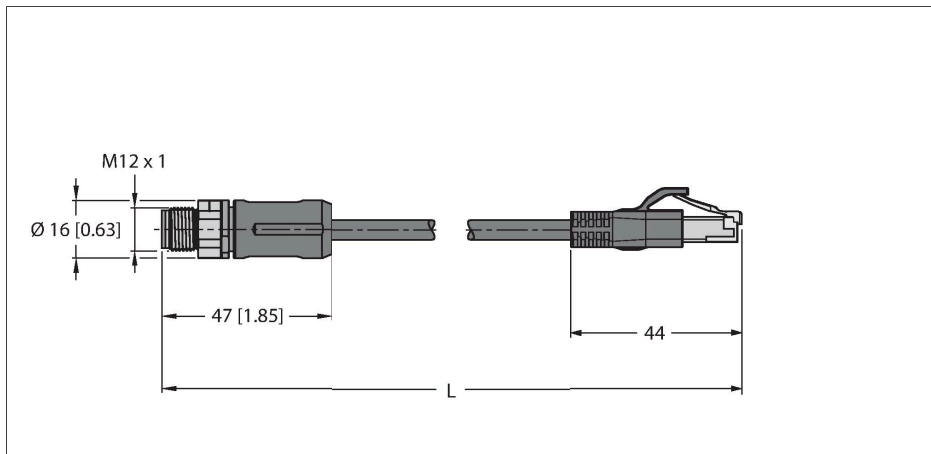


RSSX-RJ45S-8814-15M

Industrial Ethernet Cable – Connection Cable



Technical data

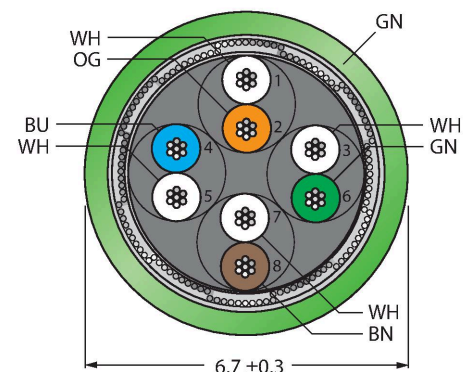
Type	RSSX-RJ45S-8814-15M
ID	100002341
Connector A	Male, M12 × 1, Straight, X-coded
Number of Pins	8
Contacts	Metal, CuZn, Gold-plated
Contact carriers	Plastic, PA, UL 94, Black
Connector body	Plastic, TPU, UL 94, Black
Coupling nut/screw	Brass, GD-Zn, Nickel-plated
Tightening torque (range)	0.4 ... 0.6 Nm (observe max. torque of mating connector!)
Mechanical lifespan	> 100 Mating cycles
Pollution degree	3/2
Protection class	IP67, Only in screwed condition
Connector B	Male, RJ45, Straight
Number of pins	8
Contacts	Metal, CuZn, Gold-plated
Contact carriers	Plastic, PC
Connector body	Plastic, TPU, UL 94
Mechanical life	> 100 Mating cycles
Pollution degree	3/2
Protection class	IP20
Cable	
Network protocol	Ethernet
Cable diameter	Ø 6.7 mm ±0.30
Cable length	15 m
Cable jacket	PUR, Green
Shielding	yes

Features

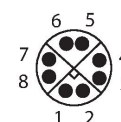


- M12 male connector, straight, X-coded
- M12 male connector, straight, X-coded
- RJ45 male connector, straight, 8-pin
- Cable length: 15 m

Cable Cross-Section



Contact assignment



Technical data

Core insulation	PE
Core cross-section	8 x 0.14 mm ²
Arrangement of strands	0.16 mm
Core colors	WH(OG) OG;WH(GN) GN;WH(BN) BN;WH(BU) BU
Electrical properties at +20 °C	
Rated voltage	48 V
Test voltage	700 V
Current	0.5 A
Mechanical and chemical properties	
Bending radius (stationary installation)	≥ 5 x Ø
Bending radius (flexible use)	≥ 10 x Ø
Ambient temperature range (stationary)	-40...+80 °C
Ambient temperature range (In motion)	-40...+80 °C
Other Features	
Qualified for drag chain use	yes
PVC-free	yes
UV resistance	yes
Oil-resistant	yes
Flame-retardant	yes
Approvals	cULus

Circuit Diagram

