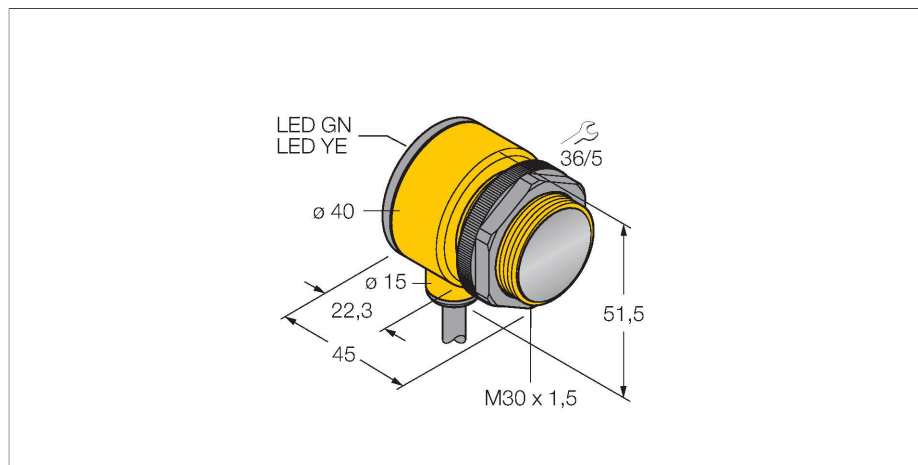


T30AW3R W/30

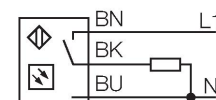
Photoelectric Sensor – Opposed Mode Sensor (Receiver)



Features

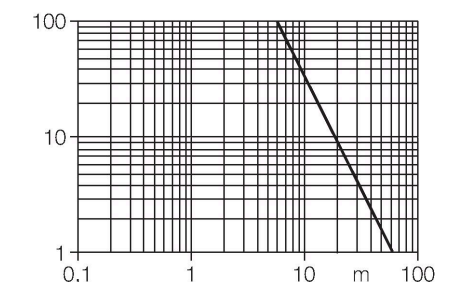
- Cable, 2 m
- Protection class IP67
- Ambient temperature: -40...+70 °C

Wiring diagram



Functional principle

Opposed mode sensors consist of an emitter and receiver. They are installed opposite each other so that the light from the emitter is aimed directly at the receiver. When an object interrupts or weakens the light beam, the sensor switches. Opposed mode sensors are the most reliable photoelectric sensors for detection of opaque targets. An excellent contrast between light and dark conditions and an extremely high excess gain are typical of this sensing mode, thus allowing operation over larger distances and under difficult conditions. Excess gain curve
Excess gain in relation to the distance



Technical data

Type	T30AW3R W/30
ID no.	3033945
Optical data	
Function	Opposed mode sensor
Operating mode	Receiver
Range	0...60000 mm
Electrical data	
Operating voltage	20...250 VAC
AC rated operational current	≤ 200 mA
Output function	Light operation, Relay output
Switching frequency	≤ 40 Hz
Readiness delay	≤ 100 ms
Response time typical	< 16 ms
Mechanical data	
Design	Rectangular with thread, T30
Dimensions	Ø 30 x 45 x 40 x 51.5 mm
Housing material	Plastic, Thermoplastic material
Lens	plastic, Acrylic
Electrical connection	Cable, 9 m, PVC
Number of cores	3
Core cross-section	0.5 mm ²
Ambient temperature	-40...+70 °C
Protection class	IP69
Special features	Encapsulated Wash down
Power-on indication	LED, Green
Switching state	LED, Yellow

Technical data

Excess gain indication LED

Tests/approvals

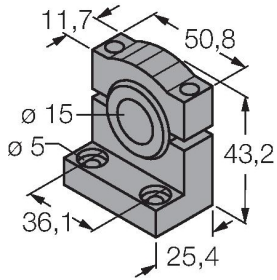
Approvals CE, UL, CSA

Accessories

SMB1815SF

3053279

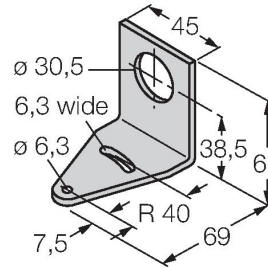
Mounting bracket, PBT black, for PICO-GUARD points



SMB30A

3032723

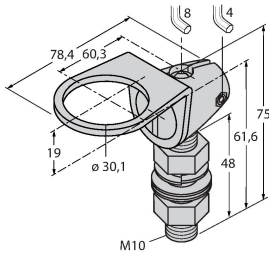
Mounting bracket, rectangular, stainless steel, for sensors with 30mm thread



SMB30FAM10

3011185

Mounting bracket, stainless steel, for M10 x 1.5 thread, thread length 30 mm



SMBAMS30P

3073135

Mounting bracket, stainless steel, for sensors with 30 mm thread

