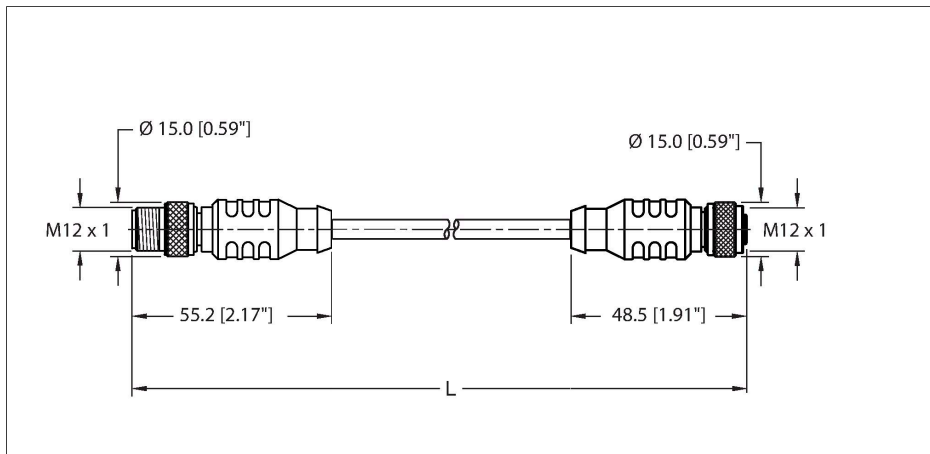


RSC RKC 572-2M

Cable for DeviceNet and CANopen – Verbindungsleitung



Technical data

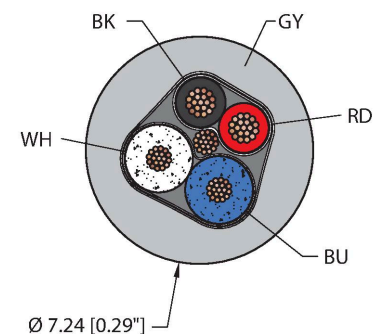
Type	RSC RKC 572-2M
ID	U0323
Connector A	Male, M12 × 1, Straight, A-coded
Design specification	acc. to IEC 61076-2-101
Number of Pins	5
Contacts	Bronze, CuSn, Gold-plated
Contact carriers	Plastic, Nylon or TPU, Blue gray
Connector body	Plastic, TPU, Blue gray
Coupling nut/screw	Brass, CuZn, Nickel-plated
Tightening torque (range)	0.8 ... 1 Nm (observe max. torque of mating connector!)
Mechanical lifespan	> 100 Mating cycles
Pollution degree	3
Protection class	IP68, IP69K, Only in screwed condition NEMA: 1, 3, 4, 6P
Connector B	Female, M12 × 1, Straight, A-coded
Design specification	acc. to IEC 61076-2-101
Number of pins	5
Contacts	Bronze, CuSn, Gold-plated
Contact carriers	Plastic, Nylon or TPU, Blue gray
Connector body	Plastic, TPU, Blue gray
Coupling nut/retaining screw	Brass, CuZn, Nickel-plated
Seal	O-ring, Plastic, FKM/FPM
Tightening torque	0.4 ... 1.8 Nm (observe max. torque of mating connector!)
Mechanical life	> 100 Mating cycles
Pollution degree	3

Features



- M12 male connector, straight, A-coded
- M12 female connector, straight, A-coded
- M12 male connector, straight, 5-pin, A-coded
- M12 female connector, straight, 5-pin, A-coded
- Litzen paarverseilt; geschirmt
- Fieldbus Technology Cable
- Fieldbus type: DeviceNet, PVC jacket, gray, shielded, 2STP × 22 AWG
- UV resistant
- Fire classes: UL 1685 FT4, UL1061, CSA FT4

Cable Cross-Section



Contact assignment

Technical data

Protection class	IP68, IP69K, Only when screwed together
	NEMA: 1, 3, 4, 6P

Cable	
Cable ID	RF50603
Network protocol	DeviceNet
Number of cores	4
Cable diameter	Ø 7.24 mm
Cable length	2 m, (+ 50 mm or 4 % of the length/-0.0, depending on which value is larger)
Cable jacket	PVC, Gray
Shielding	Foil (IN)
Drain wire cross section	22 AWG, TC (tinned copper)
Conductor material	TC (tinned copper)
Core colors	Power: RD, BK, Data: WH, BU

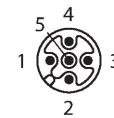
Subassembly 1	
Description of assembly	STP (shielded twisted pair)
Number of pairs	1
Conductor diameter	0.05 "
Core insulation	PVC
	Foil (OUT)
Core cross-section	2x22 AWG [Similar to 0.34 mm ²]
braid arrangement	19x0.0058 "
Description of assembly	STP (shielded twisted pair)
Number of modules	1
Conductor diameter	0.088 "
Core insulation	Foamed HDPE
Assembly Foil	Foil (OUT)
Core cross-section	2x22 AWG [Similar to 0.34 mm ²]
braid arrangement	19x0.0058

Electrical properties at +20 °C	
Rated voltage	250 V
Current	4 A

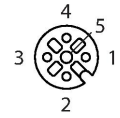
Mechanical and chemical properties	
Bending radius (stationary installation)	≥ 5 x Ø
Bending radius (flexible use)	≥ 15 x Ø
Ambient temperature range (stationary)	-40...+80 °C
Ambient temperature range (In motion)	5...+80 °C
Ambient temperature during installation	-10...+80 °C

Approval	
Approvals	FM Div.2 CSA PA UL 2238

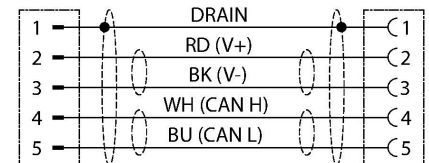
Connector A



Connector B



Circuit Diagram



Technical data

CSA C22.2 No. 182.3
CE
UKCA
RoHS

Note

Using the cable in extreme temperatures, when it is exposed to certain chemicals and above the nominal cycle speed or below the nominal bending radius of the cable can reduce the flexural strength.

- We reserve the right to make technical modifications without prior notice.