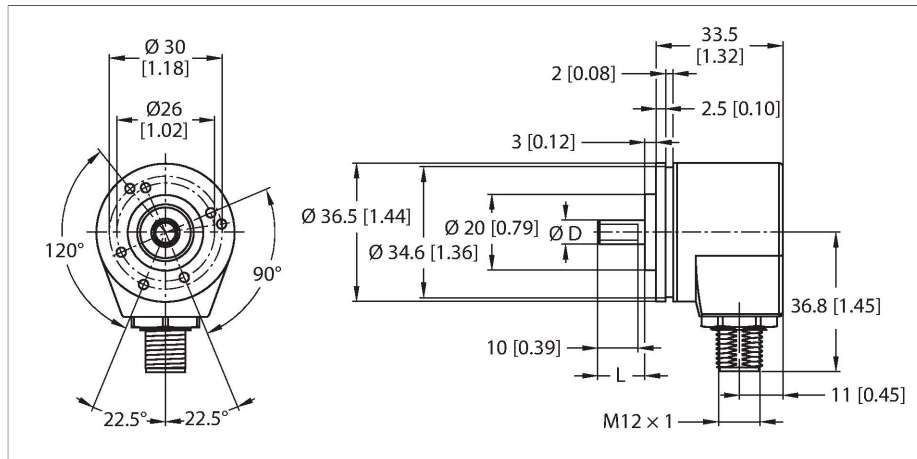


REI-04Q6C-2H2500-H1181

Incremental Encoder

Industrial Line



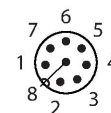
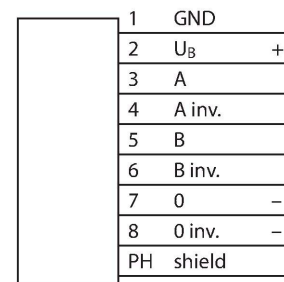
Features

- Clamping flange, Ø 36.5 mm
- Optical measuring principle
- Shaft material: stainless steel
- Protection class shaft IP50
- Protection class housing IP65
- -20...+85 °C
- Max. 12000 rpm
- 8...30 VDC
- Push-pull/HTL invertible
- Pulse frequency max. 200 kHz
- M12 × 1 male connector, 8-pin
- 2500 pulses per revolution

Technical data

Type	REI-04Q6C-2H2500-H1181
ID	100011155
Measuring principle	Optical
General data	
Max. Rotational Speed	12000 rpm
Moment of inertia of the rotor	$0.2 \times 10^{-5} \text{ kgm}^2$
Starting torque	< 0.05 Nm
Output type	Incremental
Resolution, incremental	2500 ppr
Electrical data	
Operating voltage	8...30 VDC
No-load current	40 mA
Output current	≤ 50 mA
Short-circuit protection	yes
Pulse frequency max.	200 kHz
Signal level high	min. $U_B - 3 \text{ V}$
Signal level low	max. 0.5 V
Output function	Push-Pull/HTL, invertable
Mechanical data	
Design	Solid shaft
Flange type	Clamping flange
Flange diameter	Ø 36.5 mm
Shaft Type	Solid shaft
Shaft diameter D [mm]	6
Shaft Length L [mm]	12.5
	Shaft with flat

Wiring diagram



Technical data

Shaft material	Stainless steel
Housing material	Aluminum chromated
Electrical connection	Connector, M12 × 1
	8-pin, radial
Axial shaft load	20 N
Radial shaft load	40 N
Environmental conditions	
Ambient temperature	-20...+85 °C
Vibration resistance (EN 60068-2-6)	100 m/s ² , 55...2000 Hz
Shock resistance (EN 60068-2-27)	1000 m/s ² , 6 ms
Protection class	IP65
Protection class shaft	IP50

Accessories

RCS-15-06-04	1545363	RCS-15-06-06	1545362
Bellows coupling, outer diameter: 15 mm, bore diameter: 6 mm/4 mm		Bellows coupling, outer diameter: 15 mm, bore diameter: 6 mm/6 mm	
RCS-19-06-06	1545360	RCS-15-08-06	1545361
Bellows coupling, outer diameter: 19 mm, bore diameter: 6 mm/6 mm		Bellows coupling, outer diameter: 15 mm, bore diameter: 8 mm/6 mm	

Accessories

Dimension drawing	Type	ID	
	RKC8T-2/TXL	6625142	Connection cable, M12 female connector, straight, 8-pin, cable length: 2 m, jacket material: PUR, black; cULus approval

Dimension drawing	Type	ID	
	WKC8T-2/TXL	6625145	Connection cable, M12 female connector, angled, 8-pin, cable length: 2 m, jacket material: PUR, black; cULus approval

Accessories

Dimension drawing	Type	ID	
	RA-SAB-5-20	100038292	Spring arm for small incremental encoders with a 36.5-mm and 40-mm flange; recommended contact pressure 5 N; maximum contact pressure 20 N
	RA-MW-200-5.5-DK1-6	100038295	Aluminum measuring wheel (cross knurled) for encoders; circumference 0.2 m, width 5.5 mm, D = 6 mm
	RA-MW-200-6.5-PS1-6	100038296	Aluminum measuring wheel (smooth PU) for encoders; circumference 0.2 m, width 6.5 mm, D = 6 mm
	RA-MW-200-5.5-OR1-6	100038298	Aluminum measuring wheel (O-ring) for encoders; circumference 0.2 m, width 5.5 mm, D = 6 mm
	RA-MW-B0-5.5-DK1-6	100038299	Aluminum measuring wheel (cross knurled) for encoders; circumference 6", width 5.5 mm, D = 6 mm
	RA-MW-B0-6.5-PS1-6	100038300	Aluminum measuring wheel (smooth PU) for encoders; circumference 6", width 6.5 mm, D = 6 mm

Dimension drawing

Type
RA-MW-B0-5.5-OR1-6

ID
100038301

Aluminum measuring wheel (O-ring)
for encoders; circumference 6", width
5.5 mm, D = 6 mm

