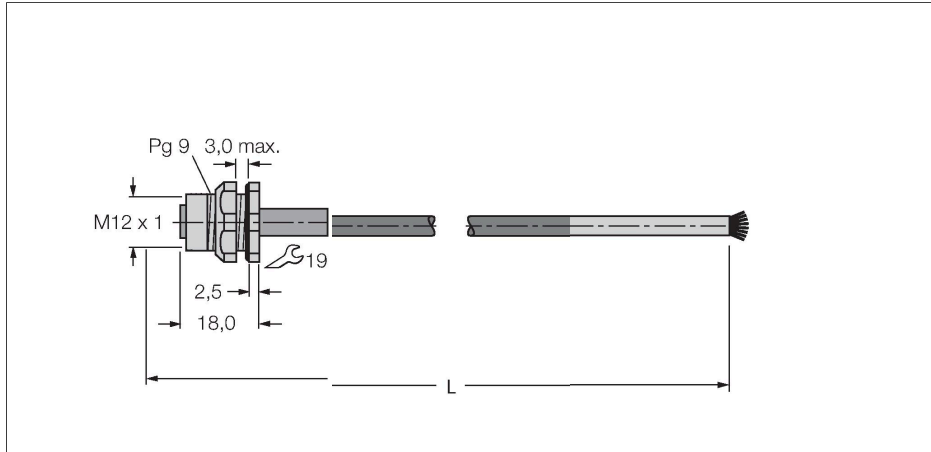


FKSD 841-0.5M

Industrial Ethernet Cable – Connection Cable



Features

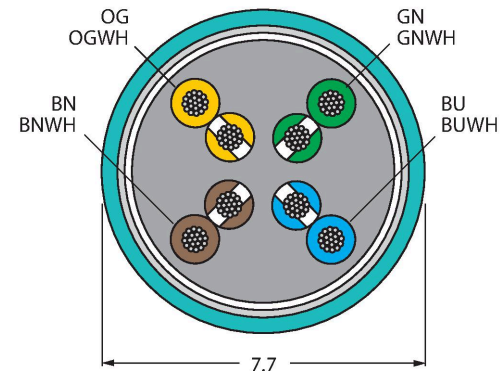


- Ethernet cable: 8-pin, AWG 24, shielded
- Jacket material: TPE, color: green
- Jacket diameter: 7.7 mm
- Suitable for drag chain use
- UL approval
- End open
- M12 female flange, 8-pin
- Back panel mounting, Pg 9
- Cable length: 0.5 m

Technical data

Type	FKSD 841-0.5M
ID	U8640-05
Connector A	Female, M12 × 1, Straight, A-coded
Number of Pins	8
Coupling nut/screw	CuZn-Ni
Flange housing	Brass, CuZn, Nickel-plated
Mounting type	backplane mounting
Screw-in thread seal	O-ring
Screw-in thread	PG9
	BrassCuZnNickel-plated
Protection class	IP67, Only in screwed condition
Cable	
Network protocol	Ethernet, 841
Cable diameter	Ø 7.7 mm
Cable length	0.5 m
Cable jacket	TPE, Green
Shielding	yes
Core insulation	PE
Core cross-section	8 x 0.21 mm ²
Core colors	WH/BU, WH/BN, BN, OG, WH/GN, WH/OG, BU, GN
Electrical properties at +20 °C	
Rated voltage	60 V
Current	2 A
DC resistance (loop)	94 Ω/km
Nom. impedance	100 Ω (1 MHz)
Nom. capacitance	46 pF/m

Cable Cross-Section



Contact assignment



Technical data

Mechanical and chemical properties	
Bending radius (flexible use)	≥ 10 x Ø
Bending cycles	≥ 1 million
Ambient temperature range (stationary)	-40...+80 °C
Ambient temperature range (In motion)	-40...+80 °C
Other Features	
Qualified for drag chain use	yes
UV resistance	yes
Oil-resistant	yes
Approvals	UL
Note	
- We reserve the right to make technical modifications without prior notice.	