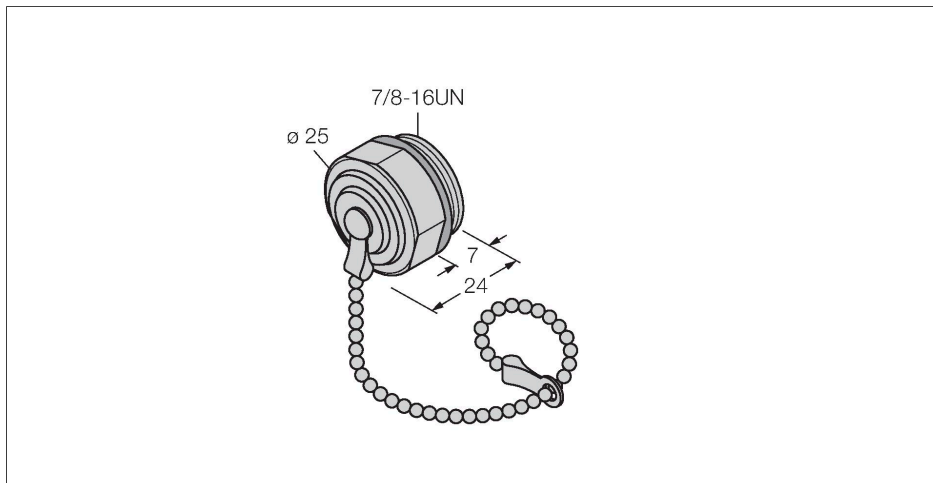


# RSMV-CCC

## End Cap 7/8"



### Features

- 7/8" end cap, stainless steel
- For female connector
- Oil resistant
- IP67 acc. to IEC 60529/ EN 60529 and NE-MA 1, 3, 4, 6P
- With fastening chain, approx. 150 mm

### Technical data

Type	RSMV-CCC
ID	6604490
<b>Mechanical and chemical properties</b>	
Ambient temperature range (In motion)	-40...+70 °C