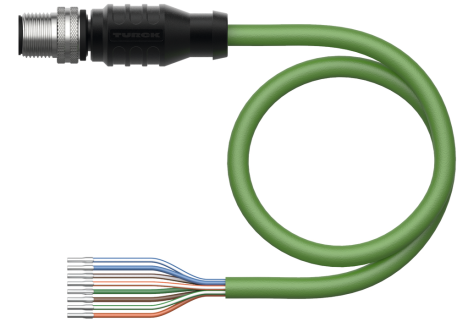
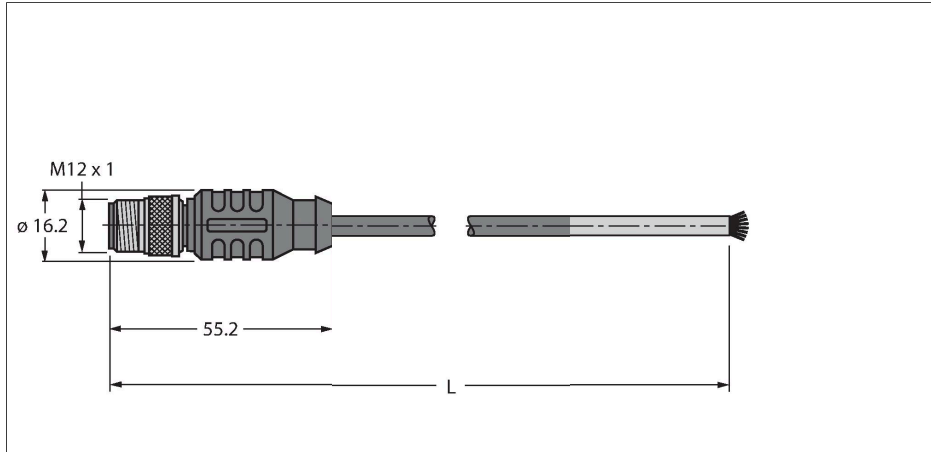


RSS 843-15M

Industrial Ethernet Cable – Connection Cable



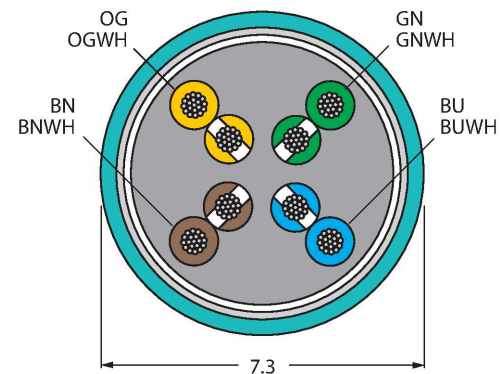
Technical data

Type	RSS 843-15M
ID	U8601-15
Connector A	Male, M12 × 1, Straight, A-coded
Number of Pins	8
Contacts	Metal, CuZn, Gold-plated
Contact carriers	Plastic, TPU, Black
Connector body	Plastic, TPU, Black
Coupling nut/screw	Brass, CuZn, Nickel-plated
Tightening torque (range)	0.8 ... 1 Nm (observe max. torque of mating connector!)
Mechanical lifespan	> 100 Mating cycles
Pollution degree	3
Protection class	IP67, Only in screwed condition
Cable	
Network protocol	Ethernet, 843
Cable diameter	Ø 7.3 mm
Cable length	15 m
Cable jacket	PVC, Green
Shielding	yes
Core insulation	PE
Core cross-section	8 x 0.21 mm ²
Electrical properties at +20 °C	
Rated voltage	60 V
Current	2 A
DC resistance (loop)	94 Ω/km
Nom. impedance	100 Ω (1 MHz)
Nom. capacitance	46 pF/m

Features

- Ethernet cable: 8-pin, AWG 24, shielded
- Jacket material: PVC, color: green
- Jacket diameter: 7.3 mm
- For permanent installation
- UL approval
- End open
- M12 male, straight, 8-pin
- Cable length: 15 m

Cable Cross-Section



Contact assignment



Technical data

Mechanical and chemical properties

Bending radius (flexible use)	$\geq 7 \times \emptyset$
Bending cycles	≥ 4 million
Ambient temperature range (stationary)	-40...+80 °C

Other Features

Qualified for drag chain use	no
Halogen-free	no
Approvals	UL

Note

- We reserve the right to make technical modifications without prior notice.