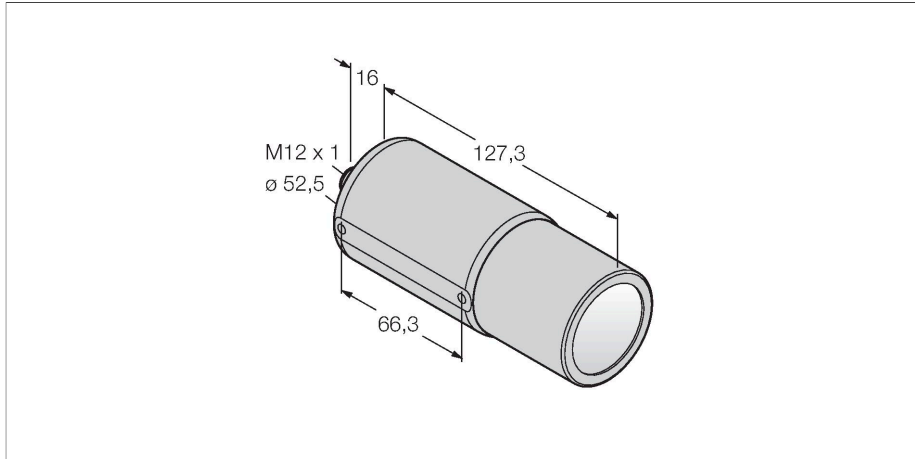


PPROCAM1.3SC-G

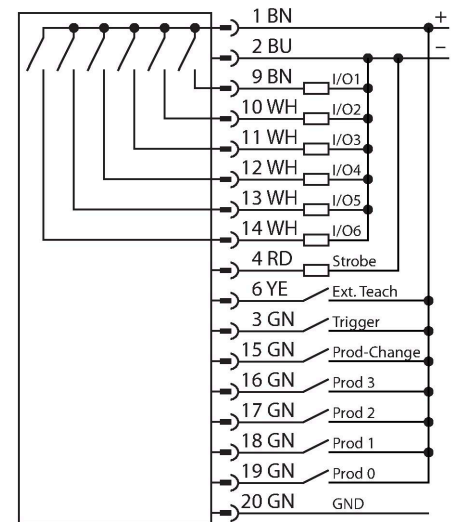
Vision Systems – Camera P3



Features

- Sealed compact camera (separate controller required, type PPROCTL)
- Protection class IP68
- Lens to be ordered separately
- 2/3" CMOS, 752x480 pixels
- 256 gray scale values

Wiring diagram



Functional principle

The image processing system PresencePLUS PRO consists of the compact camera and the processing unit incorporated in a separate controller. Lens, external/internal lighting and connection cable are to be ordered separately. Freeware and firmware updates are available for download on: www.bannerengineering.com

Technical data

Type	PPROCAM1.3SC-G
ID	3077039
Camera data	
Resolution	1280 x 1024 Pixels
Brennweite	16 mm
Special features	Wash down
DC rated operational current	≤ 550 mA
Communication protocol	EtherNet/IP Modbus TCP Modbus TCP PCCC RS232

Mechanical data	
Dimensions	Ø 52.5 x 143.3 mm
Housing material	Metal, Nickel-plated aluminum
Ambient temperature	0...+50 °C
Protection class	IP68
Tests/approvals	
Approvals	CE

Accessories

Dimension drawing	Type	ID
	PPC06	3062409
	PPC06RA	3070827