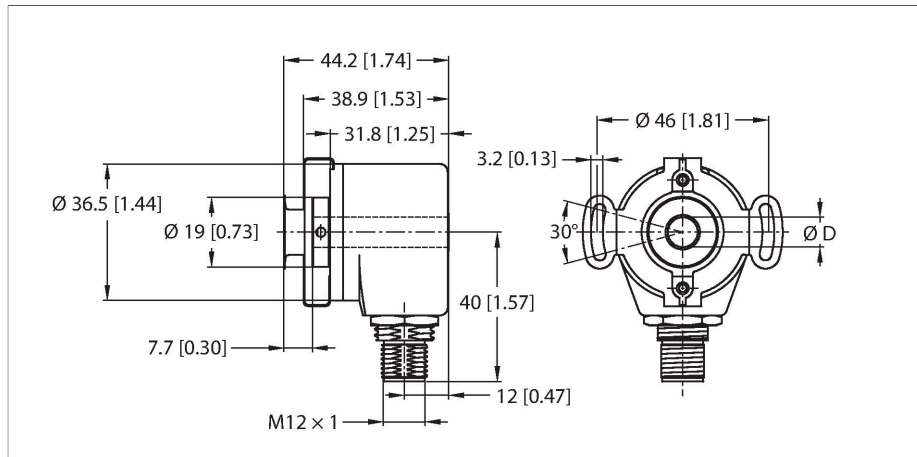


REI-05IA0E-2H2048-H1181

Incremental Encoder

Industrial Line



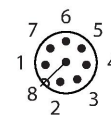
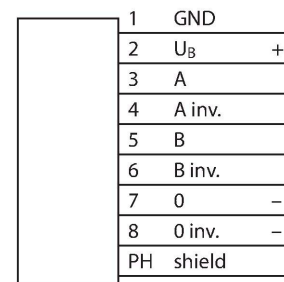
Features

- Flange with stator coupling, Ø 46 mm
- Hollow shaft, Ø ¼"
- Optical measuring principle
- Shaft material: brass
- Protection class shaft IP50
- Protection class housing IP65
- -20...+85 °C
- Max. 6000 rpm
- 8...30 VDC
- Push-pull/HTL invertible
- Pulse frequency max. 200 kHz
- M12 × 1 male connector, 8-pin
- 2048 pulses per revolution

Technical data

Type	REI-05IA0E-2H2048-H1181
ID	100011199
Measuring principle	Optical
General data	
Max. Rotational Speed	6000 rpm
Moment of inertia of the rotor	$0.2 \times 10^{-5} \text{ kgm}^2$
Starting torque	< 0.05 Nm
Output type	Incremental
Resolution, incremental	2048 ppr
Electrical data	
Operating voltage	8...30 VDC
No-load current	40 mA
Output current	≤ 50 mA
Short-circuit protection	yes
Pulse frequency max.	200 kHz
Signal level high	min. $U_B - 3 \text{ V}$
Signal level low	max. 0.5 V
Output function	Push-Pull/HTL, invertable
Mechanical data	
Design	Hollow shaft
Flange type	Flange with stator coupling
Flange diameter	Ø 46 mm
Shaft Type	Hollow shaft
Shaft diameter D [mm]	6.35
	Hollow shaft
Shaft material	Brass

Wiring diagram



Technical data

Housing material	Aluminum chromated
Electrical connection	Connector, M12 × 1
	8-polig
Axial shaft load	20 N
Radial shaft load	40 N
Environmental conditions	
Ambient temperature	-20...+85 °C
Vibration resistance (EN 60068-2-6)	100 m/s ² , 55...2000 Hz
Shock resistance (EN 60068-2-27)	1000 m/s ² , 6 ms
Protection class	IP65
Protection class shaft	IP50

Accessories

<p>RME-3</p>	<p>1544614</p> <p>Stainless steel stator coupling for hollow shaft encoders, reference diameter 46 mm, for highly dynamic applications with axial and radial play</p>	<p>RME-13</p>	<p>1544624</p> <p>Plastic mounting element for hollow shaft encoders, pitch diameter 42 mm, for applications with limited axial play, low dynamics and limited mounting space</p>
<p>RME-14</p>	<p>1544625</p> <p>Plastic mounting element for hollow shaft encoders, pitch diameters 44 mm, 60 mm, 63 mm, 65 mm, for low dynamic applications with high axial play.</p>		

Accessories

Dimension drawing	Type	ID	
	<p>RKC8T-2/TXL</p>	<p>6625142</p>	<p>Connection cable, M12 female connector, straight, 8-pin, cable length: 2 m, jacket material: PUR, black; cULus approval</p>

Dimension drawing

Type
WKC8T-2/TXLID
6625145Connection cable, M12 female
connector, angled, 8-pin, cable length:
2 m, jacket material: PUR, black; cULus
approval