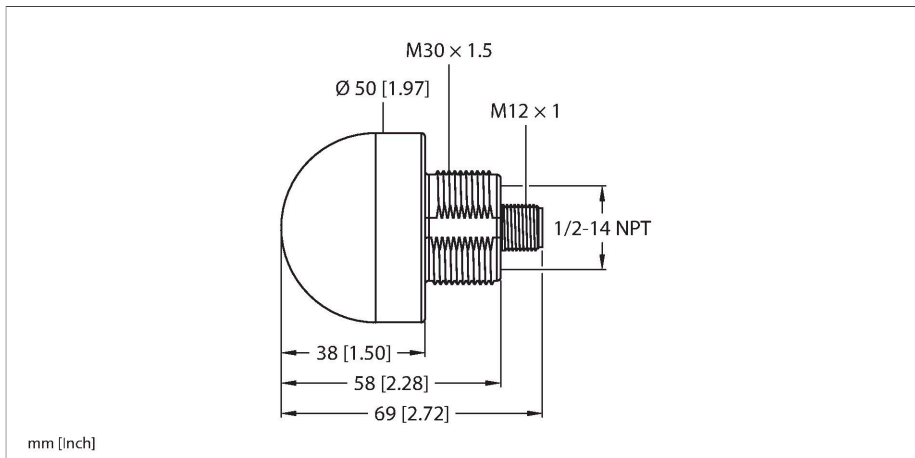


K50LMXXPQ

LED Indicator – Beacon



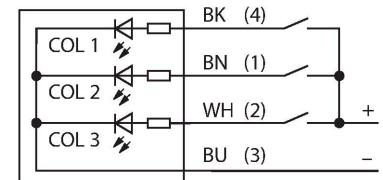
Technical data

Type	K50LMXXPQ
ID	3025843
Signal and display data	
Purpose	LED indicator light
Function	Spotlight
Light type	Magenta
LED service life (L70)	50000 h
Dimmable	No
Features of color 1	Magenta, Permanently on
Special features	Wash down
Electrical data	
Operating voltage	18...30 VDC
DC rated operational current	≤ 40 mA
Max. current consumption per color	40 mA
Output function	NO contact, Potential-free
Input type	PNP
Response time typical	< 1 ms
Mechanical data	
Cascadable	No
Design	Dome, K50L
Dimensions	Ø 50 x 69 mm
Housing material	Plastic, PC, Black
Window material	Polycarbonate, diffuse
Electrical connection	Connector, M12 × 1, PVC
Number of cores	4
Ambient temperature	-40...+50 °C
Relative humidity	0...90 %

Features

- All-round LED display
- Individually controllable
- Mechanical screw-in thread M30 x 1.5
- Protection classes IP67/IP69K
- Monochrome: Magenta (COL 1)
- Male M12x1
- Operating voltage 18...30 VDC

Wiring diagram



Technical data

Protection class IP67
IP69

Tests/approvals

MTTF 249 years acc. to SN 29500 (Ed. 99) 40 °C

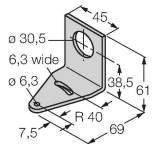
Approvals CE, UL listed

Accessories

SMB30A

3032723

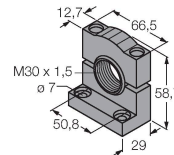
Mounting bracket, rectangular, stainless steel, for sensors with 30mm thread



SMB30SC

3052521

Mounting bracket, PBT black, for sensors with 30 mm thread, rotatable



Accessories

Dimension drawing	Type	ID	
	RKC4.4T-2/TEL	6625013	Connection cable, M12 female connector, straight, 4-pin, cable length: 2 m, jacket material: PVC, black; cULus approval
	WKC4.4T-2/TEL	6625025	Connection cable, M12 female connector, angled, 4-pin, cable length: 2 m, jacket material: PVC, black; cULus approval