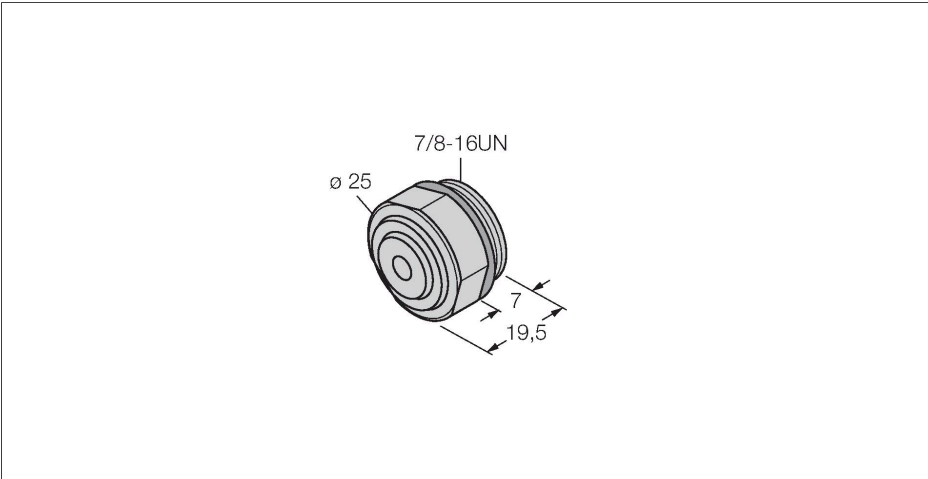


# RSMV-BC

## End Cap 7/8"



### Features

- End-cap 7/8", stainless steel
- female
- Oil-resistant
- IP67 acc. to IEC 60529/ EN 60529 and Nema 1,3,4,6P

### Technical data

Type	RSMV-BC
ID	6603783
<b>Mechanical and chemical properties</b>	
Ambient temperature range (In motion)	-40...+70 °C