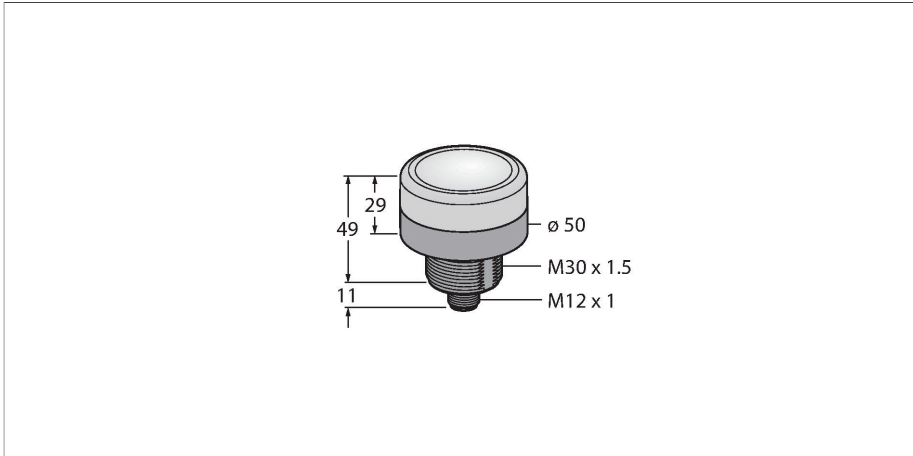


K50BCLWXXPQ

LED Indicator – Beacon



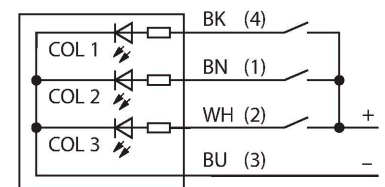
Technical data

Type	K50BCLWXXPQ
ID	3093862
Signal and display data	
Purpose	LED indicator light
Function	Spotlight
Light type	White
LED service life (L70)	50000 h
Dimmable	No
Features of color 1	White, Permanently on
Special features	I/O module-compatible Wash down
Electrical data	
Operating voltage	12...30 VDC
DC rated operational current	≤ 160 mA
Max. current consumption per color	160 mA
Input type	PNP
Response time typical	< 7 ms
Mechanical data	
Cascadable	No
Design	Puck, K50BL
Dimensions	Ø 50 x 60 mm
Housing material	Plastic, PC, Black
Window material	Polycarbonate, clear
Electrical connection	Connector, M12 × 1, PVC
Number of cores	4
Ambient temperature	-40...+50 °C
Relative humidity	0...90 %

Features

- LED all-round visible
- Top and side view
- Individually controllable
- Screw-in thread M30x1.5
- Protection class IP67
- Monochrome: White (COL 1)
- Male M12x1
- Operating voltage 12...30 VDC

Wiring diagram



Technical data

Protection class IP67
IP69

Tests/approvals

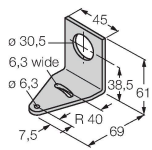
Approvals CE, cULus listed

Accessories

SMB30A

3032723

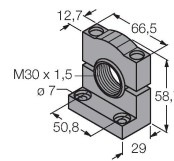
Mounting bracket, rectangular, stainless steel, for sensors with 30mm thread



SMB30SC

3052521

Mounting bracket, PBT black, for sensors with 30 mm thread, rotatable



Accessories

Dimension drawing

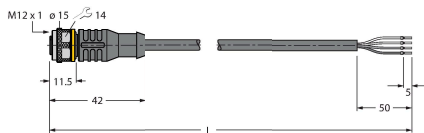
Type

ID

RKC4.4T-2/TEL

6625013

Connection cable, M12 female connector, straight, 4-pin, cable length: 2 m, jacket material: PVC, black; cULus approval



WKC4.4T-2/TEL

6625025

Connection cable, M12 female connector, angled, 4-pin, cable length: 2 m, jacket material: PVC, black; cULus approval

