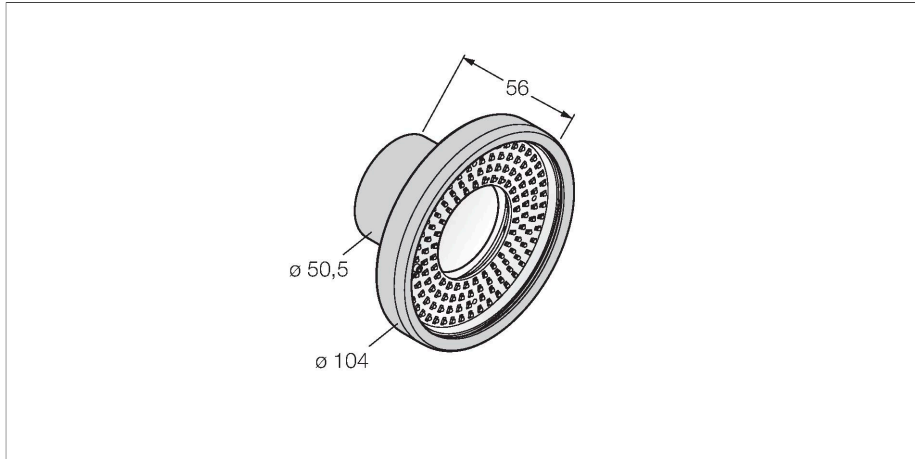


# PPROCAMCSW-P

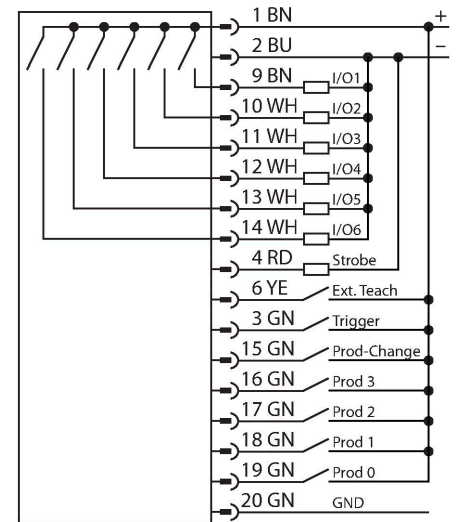
## Vision Systems – Camera P3



### Features

- Compact camera with integrated ring light
- Housing material aluminium
- Plastic inspection window
- Protection class IP68
- Lens to be ordered separately
- Separate controller required, type PPROCTL
- 1/3" CMOS, 752x480 pixels
- RGB- / HSI color space

### Wiring diagram



### Functional principle

The image processing system PresencePLUS PRO consists of the compact camera and the processing unit incorporated in a separate controller. Lens, external/internal lighting and connection cable are to be ordered separately. Freeware and firmware updates are available for download on: [www.bannerengineering.com](http://www.bannerengineering.com)

### Technical data

Type	PPROCAMCSW-P
ID	3077035
<b>Camera data</b>	
Resolution	752 x 480 Pixels
Light type	White
Color temperature	5000...+8300 K
DC rated operational current	≤ 550 mA
<b>Mechanical data</b>	
Dimensions	Ø 104 x 143.3 mm
Housing material	Aluminium
Window material	Acrylic, clear
Ambient temperature	0...+50 °C
Protection class	IP68
<b>Tests/approvals</b>	
Approvals	CE

### Accessories

Dimension drawing	Type	ID
	PPC06	3062409
	PPC06RA	3070827