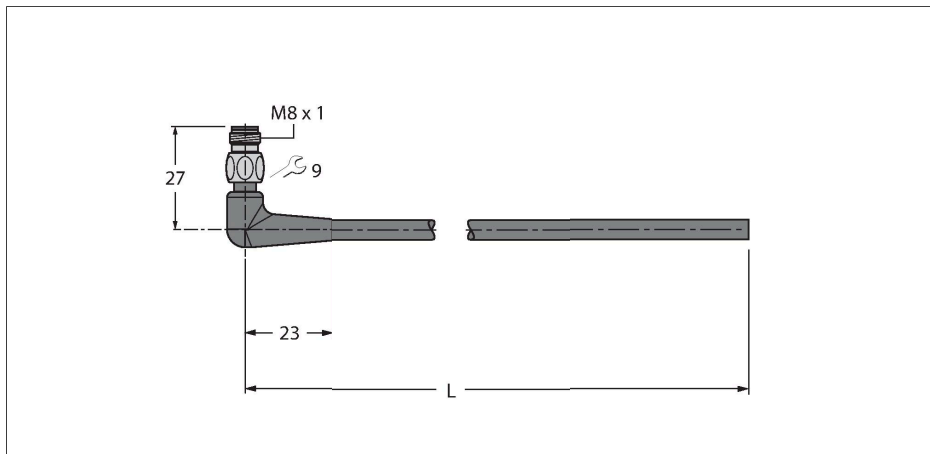


PSWH3M-10/TFG

Food & Beverage Hygienic, TPE – Connection Cable

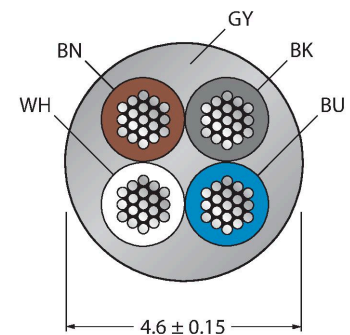


Features



- M8 male connector, angled, 3-pin
- Stainless steel coupling nut/screw
- Sheath material: TPE-O
- Sheath color: light gray RAL 7035
- Qualified for drag chain use
- Resistant to chemicals and microbes
- Weatherproof
- Resistant to hydrolysis acc. to DIN EN 60068-2-78
- Flexible at low temperatures
- Free from silicone and PVC
- Halogen-free acc. to DIN EN 50267-2-1, IEC 60754-1, VDE 0482-267-2-1
- Approvals: Gost, Ecolab, FDA
- RoHS and REACH compliant
- Protection classes IP67, IP69K
- Cable length: 10 m

Cable Cross-Section



Contact assignment



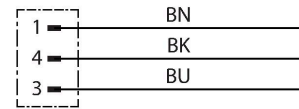
Technical data

| | |
|--|--|
| Type | PSWH3M-10/TFG |
| ID | 6933540 |
| Connector A | Male, M8 × 1, Angled |
| Number of Pins | 3 |
| Contacts | Brass, CuZn, Gold-plated |
| Contact carriers | Plastic, PP, Gray |
| Connector body | Plastic, PP, Gray |
| Coupling nut/screw | Stainless Steel, V4A |
| Seal | FPM/FKM |
| Tightening torque (range) | 0.5 ... 0.6 Nm (observe max. torque of mating connector!) |
| Mechanical lifespan | > 100 Mating cycles |
| Pollution degree | 3 |
| Protection class | IP65, IP67, IP68, IP69, Only in screwed condition |
| Cable | |
| Cable diameter | Ø 4.6 mm ±0.15 |
| Cable length | 10 m |
| Cable jacket | TPE-O, Gray |
| Core insulation | TPE-E |
| Core cross-section | 4 x 0.34 mm ² |
| Arrangement of strands | 42 x 0.1 mm |
| Core colors | BN, BU, BK |
| Electrical properties at +20 °C | |
| Rated voltage | 60 V |
| Test voltage | 2000 V |
| Current | 4 A |

Technical data

| | |
|---|---|
| Insulation resistance | $\geq 10^8 \Omega$ |
| Nom. capacitance | 82 pF/m |
| Nom. Inductance | 0.73 mH/km |
| Mechanical and chemical properties | |
| Max. tensile strength (static) | $\leq 50 \text{ N/mm}^2$ |
| Max. tensile strength (dynamic) | $\leq 20 \text{ N/mm}^2$ |
| Bending radius (stationary installation) | $\geq 5 \times \varnothing$ |
| Bending radius (flexible use) | $\geq 10 \times \varnothing$ |
| Bending cycles | ≥ 4 million |
| Admissible acceleration | max. 5 m/s^2 |
| Admissible travel path, horizontal | 5 m (at 5 m/s^2) |
| Admissible travel path, vertical | 2 m (at 5 m/s^2) |
| Admissible traversing speed | 3 m/s |
| Torsional stress | $\pm 180 \text{ }^\circ/\text{m}$ |
| Ambient temperature range (stationary) | $-40 \dots +105 \text{ }^\circ\text{C}$ |
| Ambient temperature range (In motion) | $-25 \dots +105 \text{ }^\circ\text{C}$ |
| Ambient temperature during drag chain operation | $-25 \dots +60 \text{ }^\circ\text{C}$ |

Circuit Diagram



Accessories

| | |
|---|---------|
| TORQUE-WRENCH-SET-AS | 6936170 |
| Torque wrench set; handles with adjustable torque 0.4-1.0 Nm, torque wrench for M8 (SW9), fork wrench for M12 (SW 14) | |