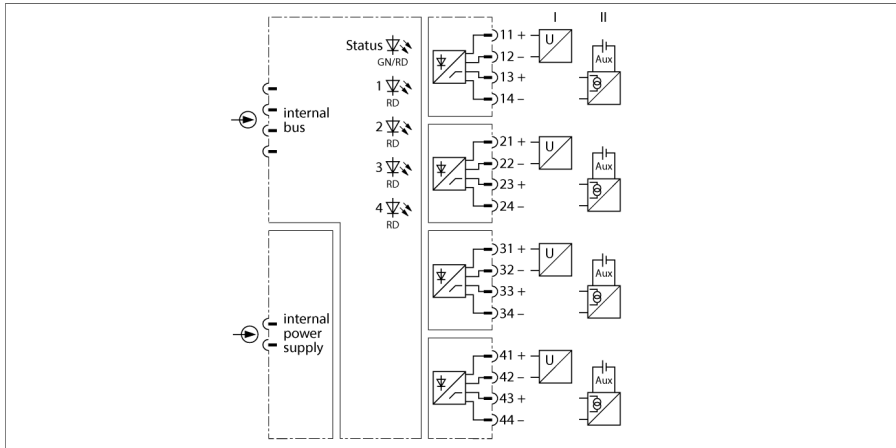


excom I/O System

Input Module, Analog, Passive, 4-channel

AI41-N



The input module AI41-N is used for the connection of 4-wire transducers (passive input = sink mode / transducer active).

The inputs are galvanically isolated from each other.

The resolution is 14 bit, i.e. the analog value between 0...21 mA is represented as a number between 0 and 16383. For clear reading, the digitized value is displayed in a range of 0...21000 and transmitted to the host system. For transmission to the host system, voltage is indicated as a value in a range between 0...10000.

- Input module for the connection of active transmitters (passive inputs)
- Complete galvanic isolation

Dimensions

Type	AI41-N
ID	6884216
Supply voltage	Via module rack, central power supply module
Power consumption	≤ 2 W
Galvanic isolation	Complete galvanic isolation
Number of channels	4
Input circuits	0/4...20 mA 0/2...10 VDC
Overload capability	> 22 mA
Low level control	< 3.6 mA
Short-circuit	< 5 V (only in live zero mode)
Wire-break	< 2 mA (only in live zero mode)
Reference temperature	25 °C
Resolution	14 Bit
Temperature drift	≤ 0.005 % of full scale/K
Rise time/fall time	≤ 50 ms (10...90 %)
Displays/Operating elements	
Operational readiness	1 × green/red
State/ Fault	4 × red
Housing material	Plastic
Connection mode	module, plugged on rack
Protection class	IP20
Ambient temperature	-20...+70 °C
Relative humidity	≤ 93 % at 40 °C acc. to IEC 60068-2-78
Vibration test	Acc. to IEC 60068-2-6
Shock test	Acc. to IEC 60068-2-27
EMC	Acc. to EN 61326-1 Acc. to Namur NE21
MTTF	98 years acc. to SN 29500 (Ed. 99) 40 °C
Dimensions	18 x 118 x 106 mm

