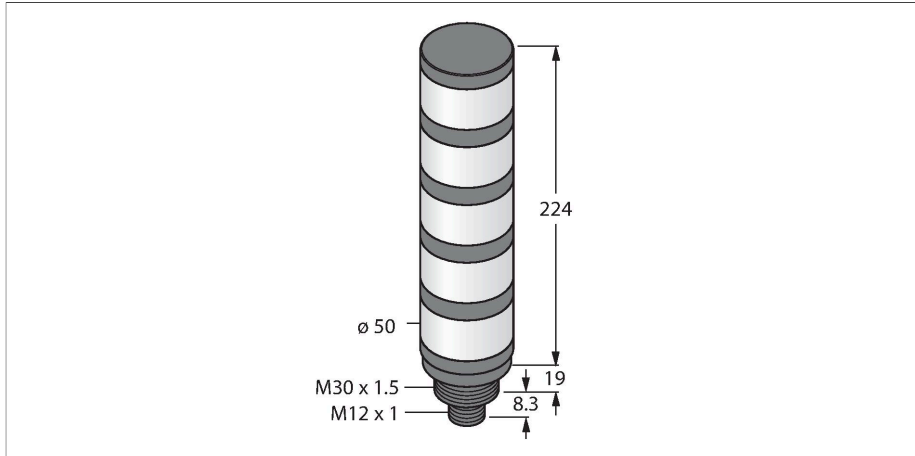


TL50WBYGORQ

LED Indicator – Tower Light



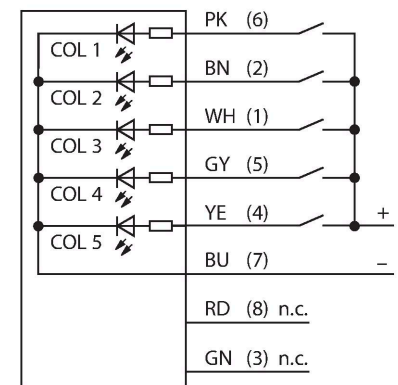
Technical data

Type	TL50WBYGORQ
ID	3802244
Signal and display data	
Purpose	LED indicator light
Function	Tower light
Light type	White Blue Yellow Orange Red
Dimmable	No
Features of color 1	White, Permanently on, 21 lm
Features of color 2	Blue, Permanently on, 4.5 lm
Features of color 3	Yellow, Permanently on, 5 lm
Features of color 4	Orange, Permanently on, 15.5 lm
Features of color 5	Orange, Permanently on, 15.5 lm
Features of color 6	Red, Permanently on, 7.5 lm
Electrical data	
Operating voltage	18...30 VDC
DC rated operational current	≤ 45 mA
Operating voltage	21...27 VAC
AC rated operational current	≤ 45 mA
Max. current consumption per color	135 mA
Input type	Bipolar (PNP/NPN)
Response time typical	< 10 ms
Mechanical data	
Cascadable	No
Design	Smooth barrel, TL50

Features

- Plastic housing, black
- EMI and RFI immune
- Protection class IP67
- M12 × 1 male connector
- Colors: White (COL 1) / Blue (COL 2) / Yellow (COL 3) / Orange (COL 4) / Red (COL 5)
- Operating voltage: 18...30 VDC or 24 VAC with 45 mA per LED color
- Inputs: PNP/NPN

Wiring diagram



Functional principle

The TL50 tower lights provide highly visible status indicators and a clear user guidance within the entire system. They can be assembled from varicolored LEDs and are available with or without beeper. You can mount them directly on machines, in the cabinet or in monitoring locations of production lines.

The wiring diagram shows a PNP pin assignment. There are 10 colors available blue (B), green (G), red (R), yellow (Y), white (W), turquoise

Technical data

Dimensions	Ø 50 x 292 mm
Housing material	Plastic, ABS, Black
Window material	Polycarbonate, diffuse
Electrical connection	Connector, M12 × 1, PVC
Number of cores	8
Ambient temperature	-40...+50 °C
Relative humidity	0...95 %
Protection class	IP67
Tests/approvals	
Approvals	CE, UL listed

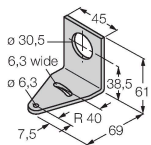
(T), orange (O), violet (V), sky blue (S) and magenta (M), which specify the light sequence from bottom to top in the type code of the tower light. Example: TL50GYRQ, colors green, yellow and red arranged from bottom to top.

Accessories

SMB30A

3032723

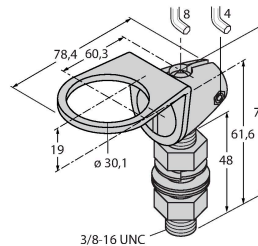
Mounting bracket, rectangular, stainless steel, for sensors with 30mm thread



SMB30FA

3074005

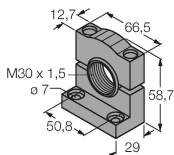
Montagewinkel; Werkstoff VA 1.4401



SMB30SC

3052521

Mounting bracket, PBT black, for sensors with 30 mm thread, rotatable



Accessories

Dimension drawing	Type	ID	
	RKC8T-2/TEL	6625130	Connection cable, M12 female connector, straight, 8-pin, cable length: 2 m, jacket material: PVC, black; cULus approval



Dimension drawing

Type

WKC8T-2/TEL

ID

6625133

Connection cable, M12 female connector, angled, 8-pin, cable length: 2 m, jacket material: PVC, black; cULus approval

