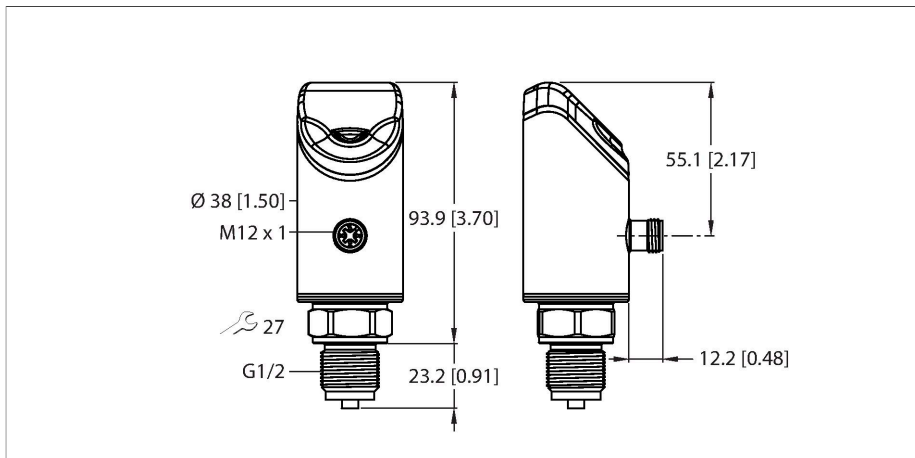


# PS310-1V-08-LI2UPN8-H1141

## Pressure Sensor – Relative Pressure: -1...1 Bar



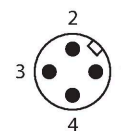
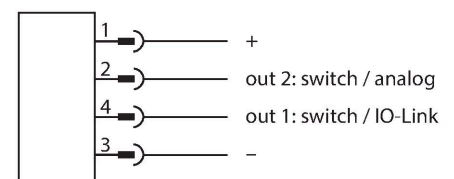
### Technical data

|   |                                    |
|---|------------------------------------|
| Type                                      | PS310-1V-08-LI2UPN8-H1141          |
| ID  | 100001500                          |
| Medium temperature                        | -30...+80 °C                       |
| Application area                          | Liquids and gases                  |
| <b>Pressure range</b>                     |                                    |
| Pressure type                             | Relative pressure                  |
| Pressure range                            | -1...1 bar                         |
|   | -14.5...14.5 psi                   |
|   | -0.1...0.1 MPa                     |
| Admissible overpressure                   | ≤ 5.5 bar                          |
| Burst pressure                            | ≥ 5.5 bar                          |
| Response time                             | ≤ 3 ms                             |
| <b>Electrical data</b>                    |                                    |
| Operating voltage                         | 18...33 VDC                        |
| Short-circuit/reverse polarity protection | yes, cyclic / yes (voltage supply) |
| Capacitive load                           | 100 nF                             |
| Insulation class                          | III                                |
| <b>Outputs</b>                            |                                    |
| Output 1                                  | Switching output or IO-Link mode   |
| Output 2                                  | Analog or switching output         |
| <b>Switching output</b>                   |                                    |
| Communication protocol                    | IO-Link                            |
| Output function                           | NO/NC, PNP/NPN                     |
| Accuracy                                  | ± 0.5 % FS BSL                     |
| Rated operational current                 | 0.25 A                             |
| Switching frequency                       | ≤ 300 Hz                           |
| Switching point distance                  | ≥ 0.5 %                            |

### Features

- 4-digit, 2-colored, 12-segment display, rotatable by 180°
- Housing is rotatable after plugging the process connection
- Ceramic measuring cell
- 18...33 VDC
- NO/NC contact, PNP/NPN output, analog output (current/voltage), IO-Link
- Process connection G1/2" male thread (manometer)
- Plug-in device, M12 × 1

### Wiring diagram



### Functional principle

The pressure transmitters from the PS310 product series operate with ceramic measuring cells. As a result of the pressure acting on the ceramic substrate, a signal that is proportional to the pressure is generated and processed electronically. The processed signal is available either as a switching or an analog output with an accuracy of 0.5 % of full scale. The rotatable sensor body and a variety of process connections guarantee flexible process integration.

## Technical data

|  |  |
|--|--|
| Switch point:                                  | (Min. + 0.005 × range)...100 % of full scale   |
| Release point(s)                               | min. up to (SP - 0.005 × range)  |
| Switching cycles                               | ≥ 100 mil.   |
| <b>Analog output</b>                           |  |
| Current output                                 | 4...20 mA  |
| High level signal current                      | 20.5 mA  |
| Low level signal current                       | 3.8 mA   |
| Load resistance current output                 | ≤ 0.5 kΩ   |
| Voltage output                                 | 0...10 V   |
| Load resistance voltage output                 | ≥ 8 kΩ   |
| Accuracy LHR                                   | ± 0.5 % FS BSL   |
| <b>IO-Link</b>                                 |  |
| IO-Link specification                          | V 1.1  |
| IO-Link port type                              | Class A  |
| Transmission physics                           | corresponds to 3-wire physics (PHY2)   |
| Frame type                                     | 2.2  |
| Transmission rate                              | COM 2/38.4 kbps  |
| Process data width                             | 16 bit   |
| Measured value information                     | 14 bit   |
| Switchpoint information                        | 2 bit  |
| Programming                                    | FDT/DTM  |
| Accuracy                                       | ± 0.5 % FS BSL   |
| Included in the SIDI GSDML                     | Yes  |
| <b>Programming</b>                             |  |
| Programming options                            | start/end value analog output; switch/release points; PNP/NPN; NO/NC contact; hysteresis/window function; damping; pressure unit; peak pressure memory |
| <b>Mechanical data</b>                         |  |
| Housing material                               | Stainless-steel/Plastic, 1.4404 (AISI 316L)/Grilamid TR90 UV   |
| Materials (contact with media)                 | Stainless steel 1.4404 (AISI 316L), Al <sub>2</sub> O <sub>3</sub> , FKM   |
| Process connection                             | G 1/2" male thread DIN 3852-E (manometer)  |
| Wrench size pressure connection / coupling nut | 27   |
| Max. tightening torque of housing nut          | 35 Nm  |
| Electrical connection                          | Connector, M12 × 1   |
| Protection class                               | IP66<br>IP67<br>IP69K  |
| <b>Environmental conditions</b>                |  |
| Ambient temperature                            | -40...+80 °C   |

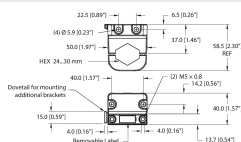
## Technical data

|  |  |
|--|--|
| Storage temperature                                | -40...+80 °C   |
| Shock resistance                                   | 50 g (11 ms) DIN EN 60068-2-27   |
| EMV  | EN 61000-4-2 ESD:4 kV CD / 8 kV AD<br>EN 61000-4-3 HF radiated: 15 V/m<br>EN 61000-4-4 Burst: 2 kV<br>EN 61000-4-6 HF cable bound: 10 V<br>EN 61000-6-2 0.5 kV, 42 Ω<br>EN 61326-2-3 |
| <b>Tests/approvals</b>                             |  |
| Approvals  | CE<br>Metrological certification (RUS)<br>cULus  |
| UL registration number                             | E183243  |
| <b>Reference conditions acc. to IEC 61298-1</b>    |  |
| Temperature  | 15...+25 °C  |
| Atmospheric pressure                               | 860...1030 hPa abs.  |
| Humidity   | 45...75 % rel.   |
| Auxiliary power                                    | 24 VDC   |
| <b>Displays/Operating elements</b>                 |  |
| Display  | 4-digit 12-segment display, rotatable by 180°, red or green  |
| Switching state                                    | 2 × LEDs, Yellow   |
| Unit display                                       | 5 x LEDs green (bar, psi, kPa, MPa, misc)  |
| <b>Temperature behaviour</b>                       |  |
| Temperature coefficient range TK <sub>s</sub>      | ± 0.15 % of full scale/10 K  |
| Temperature coefficient zero point TK <sub>0</sub> | ± 0.15 % of full scale/10 K  |
| MTTF   | 100 years acc. to SN 29500 (Ed. 99) 40 °C  |

## Accessories

FAM-30-PA66

100018384



Mounting bracket; variable wrench size 24–30 mm; removable labeling plate 20 × 9 mm

## Accessories

| Dimension drawing | Type                  | ID      |   |
|-------------------|-----------------------|---------|---|
|                   | WKC4.4T-2-RSC4.4T/TXL | 6625640 | Extension cable, M12 female connector, angled, 4-pin to M12 male connector, straight, 4-pin, cable length: 2 m, jacket material: PUR, black; cULus approval |
|                   | WKC4.4T-2/TXL         | 6625515 | Connection cable, M12 female connector, angled, 4-pin, cable length: 2 m, jacket material: PUR, black; cULus approval                                       |

## Accessories

| Dimension drawing | Type           | ID        |  |
|-------------------|----------------|-----------|--|
|                   | USB-2-IOL-0002 | 6825482   | IO-Link Master with integrated USB port                          |
|                   | PAM-P3         | 100004416 | Damping element, protects the measuring cell from pressure peaks |

mm [inch]