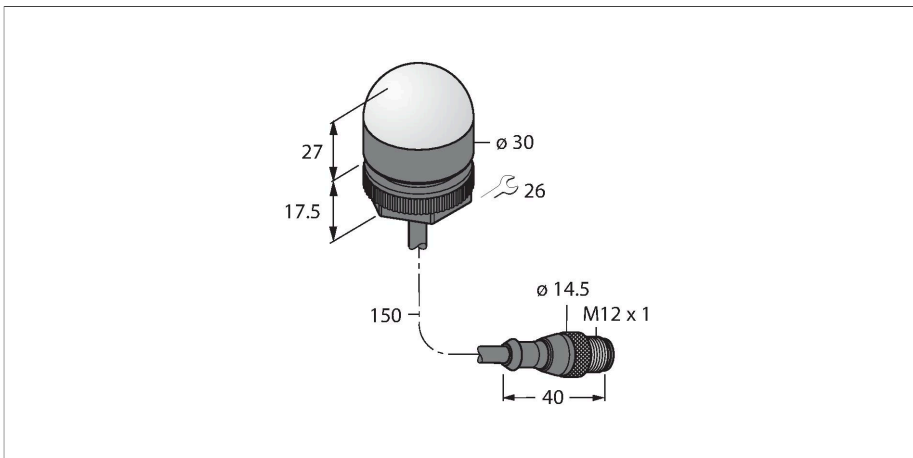


K30LIYXXPQP

LED Indicator – Beacon



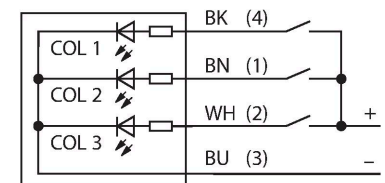
Technical data

Type	K30LIYXXPQP
ID	3026926
Signal and display data	
Purpose	LED indicator light
Function	Spotlight
Light type	Yellow
LED service life (L70)	50000 h
Dimmable	No
Features of color 1	Yellow, Permanently on
Special features	Wash down
Electrical data	
DC rated operational current	≤ 40 mA
Input type	PNP
Response time typical	< 1 ms
Mechanical data	
Cascadable	No
Design	Dome, K50L
Dimensions	Ø 30 x 44.5 mm
Housing material	Plastic, PC, Black
Window material	Polycarbonate, diffuse
Electrical connection	Cable with connector, M12 × 1, 0.15 m, PVC
Number of cores	4
Ambient temperature	-40...+50 °C
Relative humidity	0...95 %
Protection class	IP67 IP69

Features

- LED all-round visible
- ATEX category II 1 G, Ex-zone 0
- ATEX category II 1 D, Ex-zone 20
- Individually controllable
- Mechanical screw-in thread M22.5 x 1.5
- Protection classes IP67/IP69K
- Monochrome: Yellow (COL 1)
- Cable with male end M12 x 1
- It is envisaged to control always only one color with the appropriate equipment
- ATEX II 1 G approval
- Gases and vapors IIC group, Zone 0
- ATEX II 1 D approval
- Dusts IIIC group, Zone 20
- When used in hazardous areas, the special conditions of the approval must be observed

Wiring diagram



Technical data

Tests/approvals

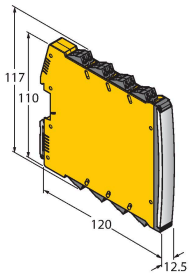
MTTF	249 years acc. to SN 29500 (Ed. 99) 40 °C
Approvals	CE, IECEx
Approvals	ATEX II 1 GD

Accessories

IMX12-DO01-1U-1U-0/24VDC

7580101

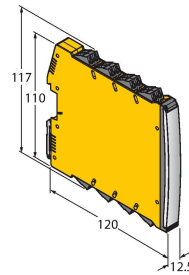
Solenoid driver; 1-channel; SIL 2 acc. to IEC 61508; Ex-proof version; monitoring of wire-break and short-circuit; removable screw terminals; 12.5 mm wide; 24 VDC power supply



IMX12-DO01-2U-2U-0/24VDC

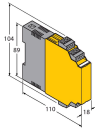
7580105

Solenoid driver; 2-channel; SIL 2 acc. to IEC 61508; Ex-proof version; monitoring of wire-break and short-circuit; removable screw terminals; 12.5 mm wide; 24 VDC power supply



Accessories

Dimension drawing



Type

IM72-11EX/L

ID

7520703

Screw terminals