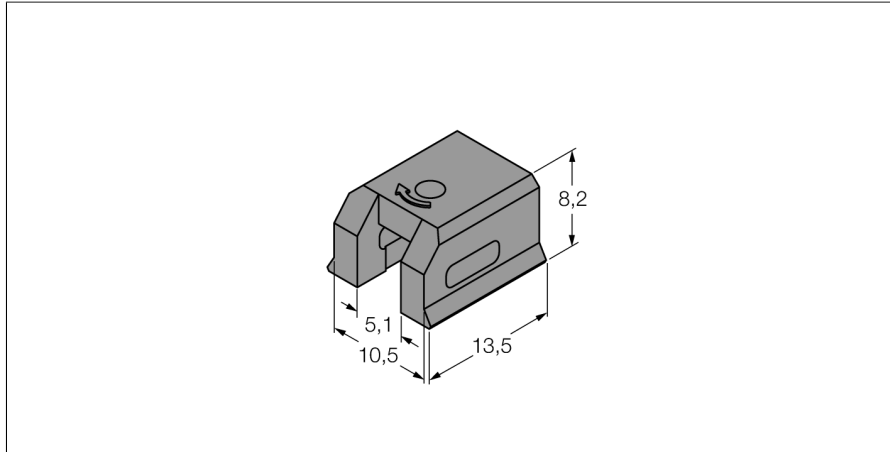


Accessories

Mounting Bracket

For Dovetail Groove Cylinders

KLDT-UNT7



- Mounting on dovetail groove cylinders
- Groove width: 10.5 mm
- Plastic: Polyphenylene sulfide (PPS)

Type	KLDT-UNT7
ID	6913356
Design	Accessories
Dimensions	13.5 x 10.5 x 9.5 mm
Housing material	Plastic
Fixing clamp for correspondent cylinder diameter	alle