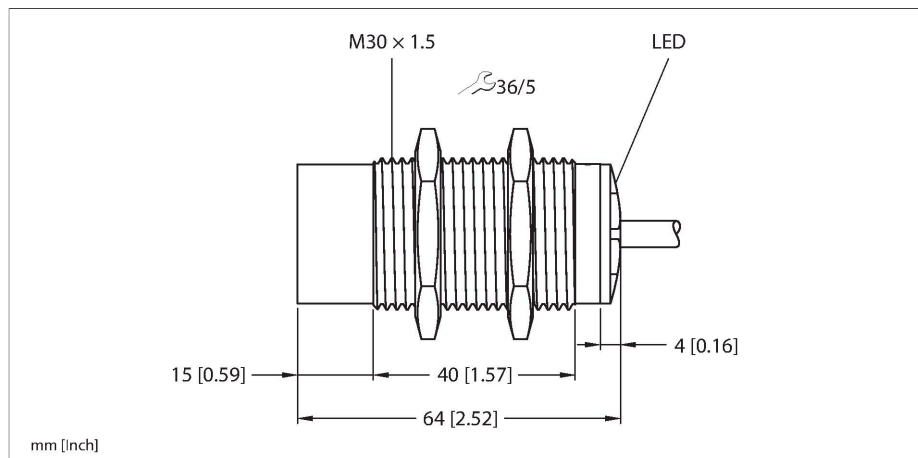


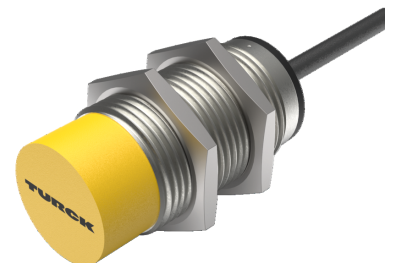
NI15-M30-ADZ3X

Inductive Sensor



Technical data

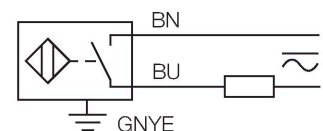
| | |
|---|---|
| Type | NI15-M30-ADZ3X |
| ID | 100018049 |
| General data | |
| Rated switching distance | 15 mm |
| Mounting conditions | Non-flush |
| Secured operating distance | $\leq (0.81 \times S_n)$ mm |
| Correction factors | St37 = 1; Al = 0.3; stainless steel = 0.7; Ms = 0.4 |
| Repeat accuracy | $\leq 2\%$ of full scale |
| Temperature drift | $\leq \pm 10\%$ |
| Hysteresis | 3...15 % |
| Electrical data | |
| Operating voltage | 20...250 VAC |
| Operating voltage | 10...300 VDC |
| AC rated operational current | ≤ 400 mA |
| DC rated operational current | ≤ 300 mA |
| Frequency | $\geq 50... \leq 60$ Hz |
| Residual current | ≤ 1.7 mA |
| Isolation test voltage | ≤ 1.5 kV |
| Surge current | ≤ 8 A (≤ 10 ms max. 5 Hz) |
| Short-circuit protection | yes / Latching |
| Voltage drop at I_o | ≤ 6 V |
| Wire breakage/Reverse polarity protection | yes / Complete |
| Output function | 2-wire, NO contact, 2-wire |
| Smallest operating current | ≥ 3 mA |
| Switching frequency | 0.02 kHz |



Features

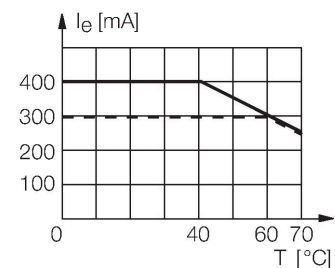
- M30 × 1.5 threaded tube
- Chrome-plated brass
- AC 2-wire, 20...250 VAC
- DC 2-wire, 10...300 VDC
- Short-circuit proof
- NO contact
- Cable connection

Wiring diagram



Functional principle

Inductive sensors detect metal objects contactless and wear-free. For this, they use a high-frequency electromagnetic AC field that interacts with the target. Inductive sensors generate this field via an RLC circuit with a ferrite coil.

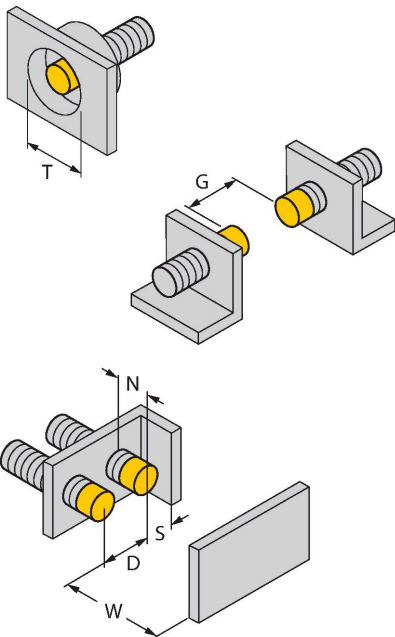


Technical data

| Mechanical data | |
|---------------------------------------|--|
| Design | Threaded barrel, M30 x 1.5 |
| Dimensions | 64 mm |
| Housing material | Metal, CuZn, Chrome-plated |
| Active area material | Plastic, PA12-GF30 |
| End cap | Plastic, EPTR |
| Max. tightening torque of housing nut | 75 Nm |
| Electrical connection | Cable |
| Cable quality | Ø 5.2 mm, LifYY, PVC, 2 m |
| Core cross-section | 3 x 0.5 mm ² |
| Environmental conditions | |
| Ambient temperature | -25...+70 °C |
| Vibration resistance | 55 Hz (1 mm) |
| Shock resistance | 30 g (11 ms) |
| Protection class | IP67 |
| MTTF | 2283 years acc. to SN 29500 (Ed. 99) 40 °C |
| Switching state | LED, Red |

Mounting instructions

Mounting instructions/Description



| | |
|------------------------|---------|
| Distance D | 3 x B |
| Distance W | 3 x Sn |
| Distance T | 3 x B |
| Distance S | 1.5 x B |
| Distance G | 6 x Sn |
| Distance N | 2 x Sn |
| Diameter active area B | Ø 30 mm |

Accessories

BST-30B

6947216



Mounting clamp for threaded barrel sensors, with dead-stop; material: PA6

QM-30

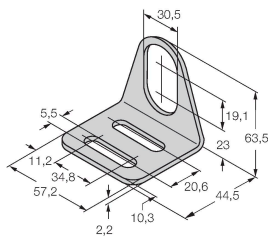
6945103



Quick-mount bracket with dead-stop; material: Chrome-plated brass. Male thread M36 × 1.5. Note: The switching distance of the proximity switches may change when using quick-mount brackets.

MW-30

6945005



Mounting bracket for threaded barrel sensors; material: Stainless steel A2 1.4301 (AISI 304)

BSS-30

6901319



Mounting clamp for smooth and threaded barrel sensors; material: Polypropylene