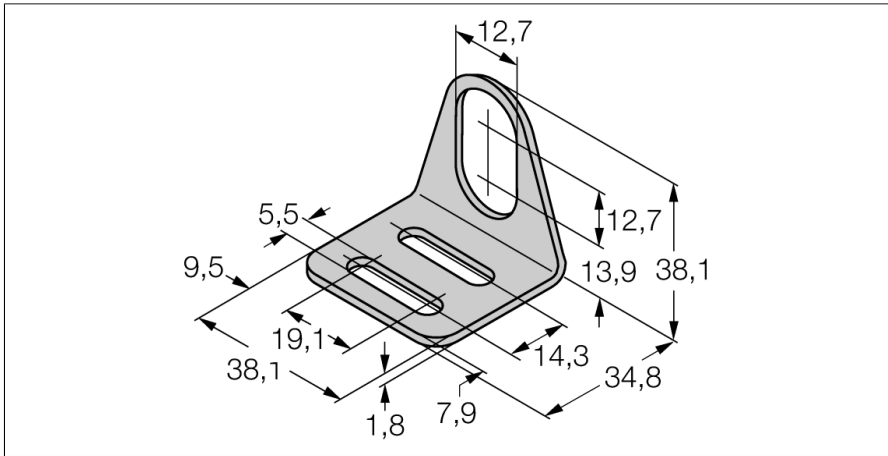


# Accessories

## Mounting bracket

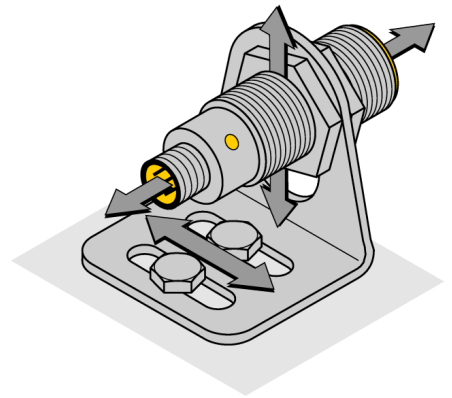
### MW-12



- Mounting bracket for M12 x1 threaded barrel sensors
- Stainless steel A2 1.4301 (AISI 304)

#### General description

The mounting bracket for the sensor in the threaded barrel M12 x1 provides high flexibility for mounting. The position of the sensor can easily be re-adjusted in all directions and is thus very user friendly.



Type	MW-12
ID	6945003
Design	Accessories for threaded barrel, M12
Dimensions	34.8 x 38.1 x 38.1 mm
Housing material	Metal, 1.4301 (AISI 304)