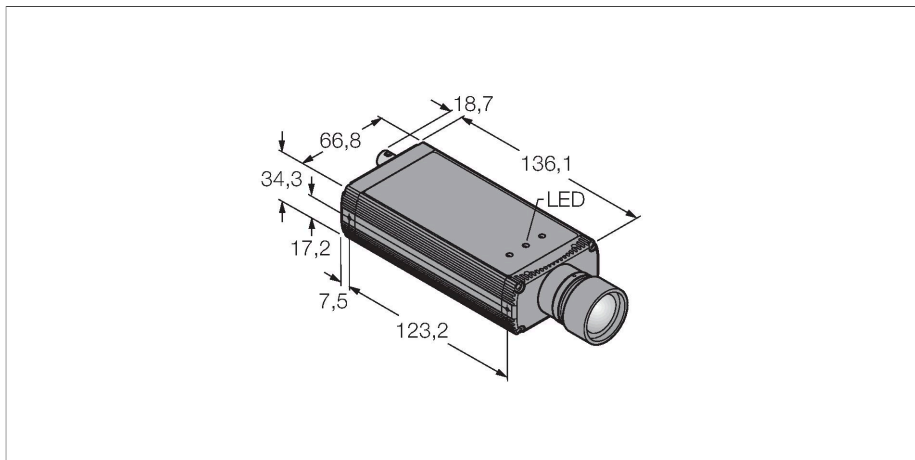


P4COBI

Vision Systems – Camera with Integrated Analysis



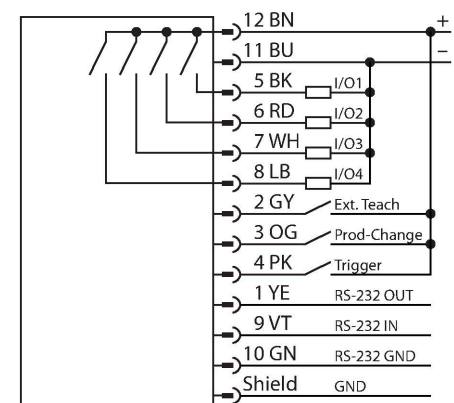
Technical data

Type	P4COBI
ID	3076877
Camera data	
Function	BCR
Resolution	752 x 480 Pixels
Electrical data	
Operating voltage	10...30 VDC
DC rated operational current	≤ 550 mA
Communication protocol	EtherNet/IP Modbus TCP Modbus TCP PCCC RS232
Output function	NO contact, PNP/NPN
Power on display	LED, Green
Switching state	LED, Green
Error indication	LED, red
Mechanical data	
Design	Inline, P4
Dimensions	136.1 x 66.8 x 34.3 mm
Housing material	Metal, AL
Electrical connection	Connector, M12 × 1, 12-wire
Ambient temperature	0...+50 °C
Protection class	IP20
Tests/approvals	
Approvals	CE

Features

- Detects and decodes 2D and linear 1D bar-codes
- Industrial standard codes and other classifications
- 1/3" CMOS, 752x480 pixels
- RGB- / HSI color space
- One-piece design with camera and integrated controller
- Lens connection in longitudinal axis of housing
- protection class IP20
- Lens to be ordered separately
- Operating voltage: 10...30 VDC via M12 x 1 male, 12-pin
- External trigger input
- External strobe output, M8x1, 3-pin
- Ethernet/IP and Modbus TCP interface via RJ45
- RS232 data communication
- Coaxial BNC video connection cable

Wiring diagram



Functional principle

The camera system PresencePLUS P4 consists of a camera with an integrated processing unit. Lens, lighting and connection cable are to be ordered separately. Freeware and firmware updates are available for download on:
www.bannerengineering.com

Accessories

Dimension drawing	Type	ID	
	P4C06	3073491	Power supply, M12 × 1 female connector, 12-pin, cable length: 1.83 m
	BNC06	3067458	Coaxial BNC connection cable, cable length: 1.83 m
	STP07	3069985	RJ45 Ethernet data cable, cable length: 2.13 m