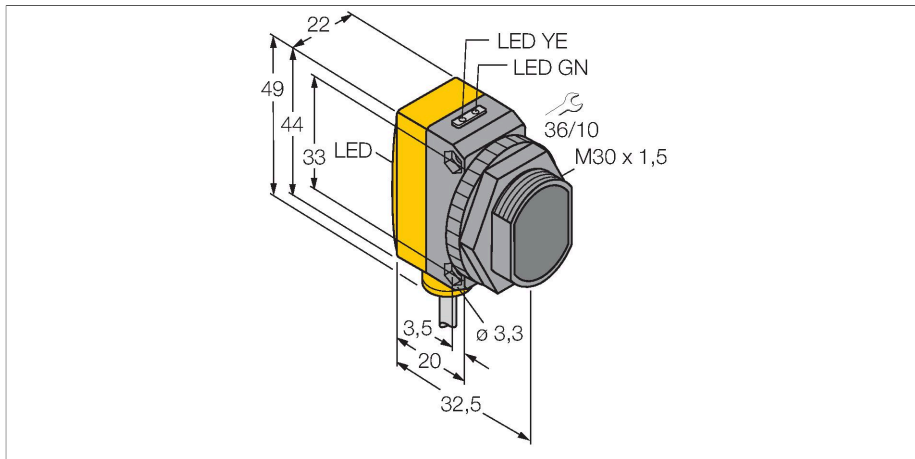


QS30RRXQPMA

Photoelectric Sensor – Opposed Mode Sensor (Emitter/Receiver)



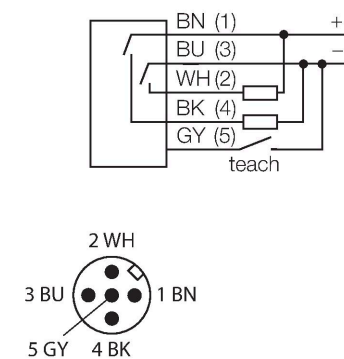
Technical data

Type	QS30RRXQPMA
ID no.	3072063
Optical data	
Function	Opposed mode sensor
Operating mode	Receiver
Wavelength	875 nm
Range	0...213000 mm
Electrical data	
Operating voltage	10...30 VDC
Residual ripple	< 10 % U _{ss}
DC rated operational current	≤ 150 mA
No-load current	≤ 22 mA
Short-circuit protection	yes
Reverse polarity protection	yes
Output function	NO contact, dark operation, PNP/NPN
Switching frequency	≤ 100 Hz
Readiness delay	≤ 100 ms
Response time typical	< 5 ms
Mechanical data	
Design	Rectangular with thread, QS30
Dimensions	Ø 30 x 35 x 22 x 49 mm
Housing material	Plastic, Thermoplastic material, Yellow
Lens	plastic, Zeonex
Electrical connection	Cable with connector, M12 × 1, 0.15 m, PUR
Number of cores	5

Features

- Cable with male end M12 × 1, 5-pin, PUR, 150 mm
- Protection class IP67
- LED all-round visible
- Selectable operating frequency, protection against crosstalk
- 4-segment bargraph
- Operating voltage: 10...30 VDC
- Switching output, bipolar, dark operation

Wiring diagram



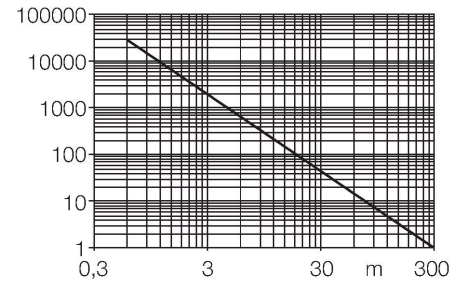
Functional principle

Opposed mode sensors consist of an emitter and receiver. They are installed opposite to each other so that the light from the emitter is aimed directly at the receiver. When an object interrupts or weakens the light beam, the sensor switches. Large distance operation is possible due to an excellent light/dark contrast and an extremely high excess gain.

Excess gain curve
Excess gain in relation to the distance

Technical data

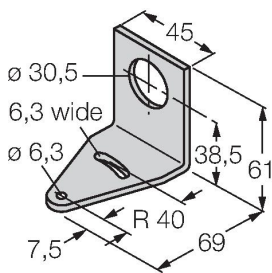
Ambient temperature	-20...+70 °C
Protection class	IP67
Power-on indication	LED, Green
Switching state	LED, Yellow
Error indication	LED, green, Flashing
Excess gain indication	Bargraph, red, flashing
Tests/approvals	
MTTF	293 years acc. to SN 29500 (Ed. 99) 40 °C
Approvals	CE



Accessories

SMB30A

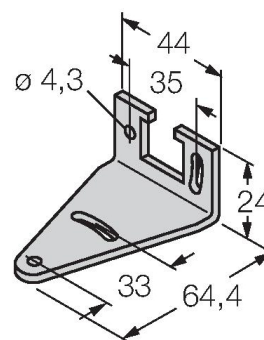
3032723



Mounting bracket, rectangular, stainless steel, for sensors with 30mm thread

SMBQS30L

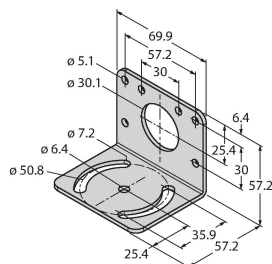
3002809



Mounting bracket, stainless steel, for QS30 series

SMB30MM

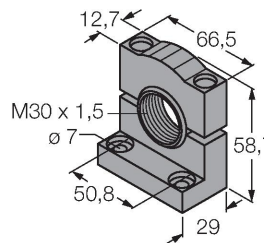
3027162



Mounting bracket, rectangular, stainless steel, for sensors with 30 mm thread, wide holes for accurate alignment

SMB30SC

3052521



Mounting bracket, PBT black, for sensors with 30 mm thread, rotatable

Accessories

Dimension drawing	Type	ID no.	
	WKC4.5T-2/TEL	6625028	Connection cable, female M12, angled, 5-pin, cable length: 2 m, sheath material: PVC, black; cULus approval; other cable lengths and qualities available, see www.turck.com
	RKC4.5T-2/TEL	6625016	Connection cable, female M12, straight, 5-pin, cable length: 2 m, sheath material: PVC, black; cULus approval; other cable lengths and qualities available, see www.turck.com