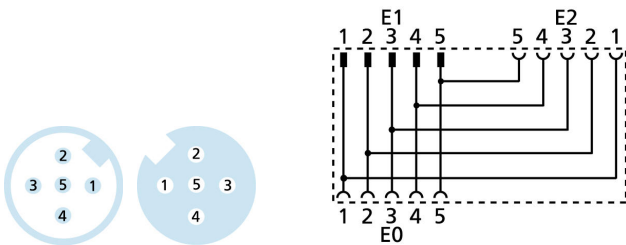
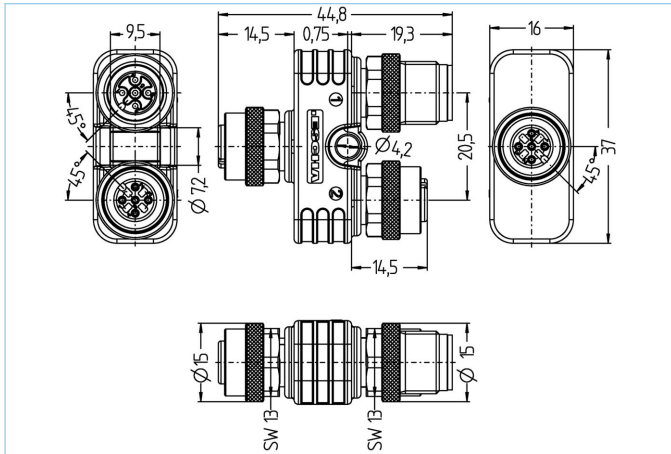


Y-splitter, M12, female, straight, 5 poles, M12, male, straight, 5 poles, M12, female, straight, 5 poles, shielded



**Product data**

Item description	Y-WAKS5-WASS5-WAKS5
Item-No.	8057723
Customs tariff-No.	85366990
Step-File	Y-WAKS5-WASS5-WAKS5.stp
EAN	4047106141653

Technical data	Exit 0	Exit 1	Exit 2
Connector	female, M12	male, M12	female, M12
Contact material	Metal, CuZn, gold-plated	Metal, CuZn, gold-plated	Metal, CuZn, gold-plated
Contact-carrier material	Plastic, TPU, BK	Plastic, TPU, BK	Plastic, TPU, BK
Coupling nut material	Metal, CuZn, nickel-plated	Metal, CuZn, nickel-plated	Metal, CuZn, nickel-plated
Rated voltage	60V	60V	60V
Coding of	A	A	A
Number of pins	5	5	5
Current load (at 40°C)	4A	4A	4A

Insulation resistance	≥10 <sup>9</sup> Ω
Ambient temperature product	-30°C...+90°C
Grip body material	Plastic, TPU, BK
Sealing (female) material	FPM/FKM
Shielding	with shielding
Mechanical life-cycle	>100 mating cycles
Standards	IEC 61076-2-101
Degree of protection (mounted)	IP65, IP67, IP68
Degree of pollution	3

### Classification

eCl@ss 6.0	27279201
eCl@ss 7.0	27279201
eCl@ss 8.0	27279201
eCl@ss 9.0	27440106
ETIM 5.0	EC002062
ETIM 6.0	EC002925

### Link to product

<https://www.escha.net/en/products/standard/t-splitters-y-splitters/8057723>