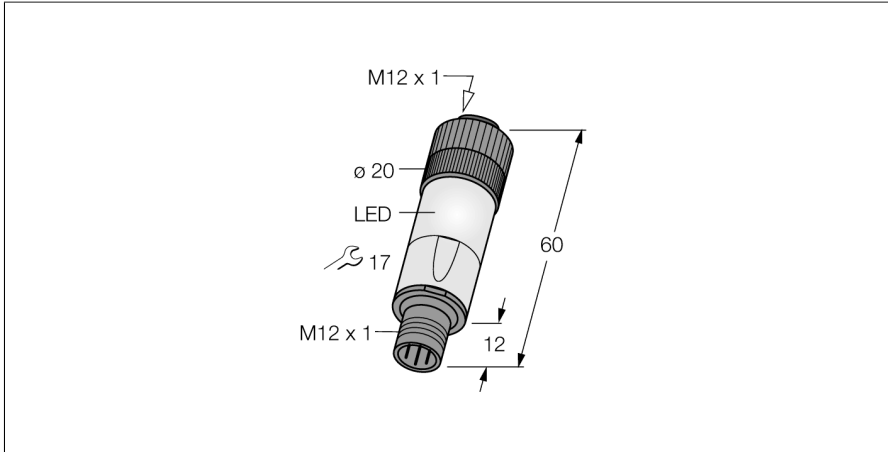


# Accessories

## Smart Plug

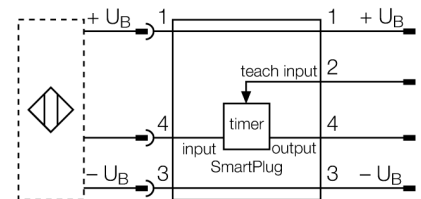
### Pulse/Pause Counter

#### SPC1-AN6X



- multifunctional adapter for connection to standard sensors
- Degree of protection IP67
- 4-pin M12 x 1, female connector
- 4-pin M12 x 1, male connector

#### Wiring Diagram



Type	SPC1-AN6X
ID	A0600
Operating voltage	10...30 VDC
Output function	4-wire
Insulation class	□
Dimensions	60 mm
Housing material	Plastic, PBTP
Ambient temperature	0...+60 °C
Protection class	IP67

#### Functional principle

The SmartPlug counter SPC1-AN6X counts the pulses and pauses at the sensor output and is thus suitable for standstill monitoring, speed monitoring or tailback detection. Both functions can be taught externally.

## Function accessories

Type code	Ident no.		Dimension drawing
VB2-SP1	A3501-29	Teach adapter	