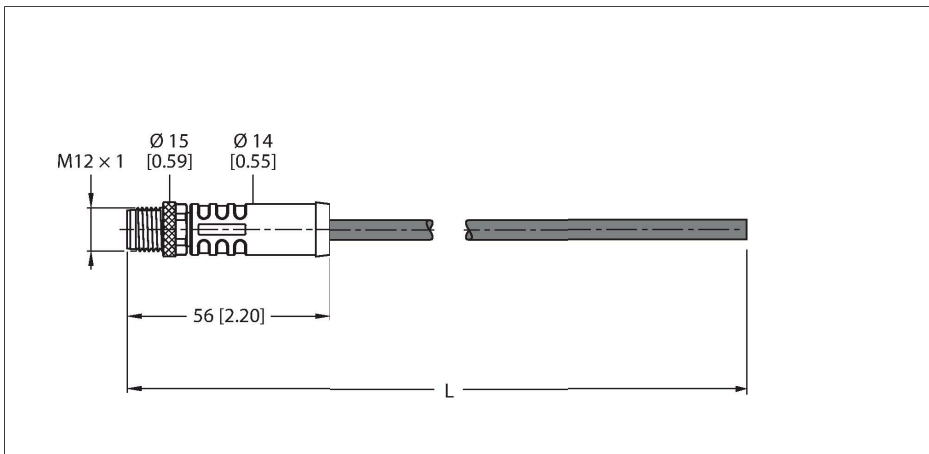


RSP46PSA-0.5/TXL

Supply Cable — M12 Power – Connection Cable



Technical data

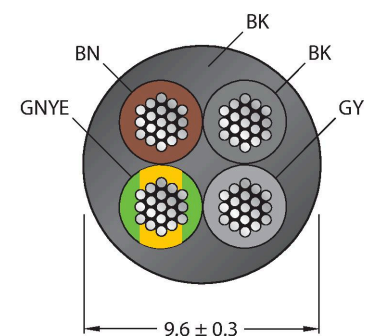
Type	RSP46PSA-0.5/TXL
ID	100038831
Connector A	Male, M12 × 1, Straight, S-coded
Number of Pins	3+PE
Contacts	Brass, CuZn, Gold-plated
Contact carriers	Plastic, PA, Black
Connector body	Plastic, TPU, Black
Coupling nut/screw	Brass, CuZn, Nickel-plated
Tightening torque	1 Nm
Mechanical lifespan	> 100 Mating cycles
Pollution degree	3
Protection class	IP65, IP67, IP68, Only in screwed condition
Cable	
Cable diameter	Ø 9.6 mm ±0.20
Cable length	0.5 m
Cable jacket	PUR, Black
Core insulation	PP
Core cross-section	4 x 1.5 mm ²
Core colors	BN, BK, GY, GN/YE
Electrical properties at +20 °C	
Rated voltage	600 V
Current	12 A
Mechanical and chemical properties	
Bending radius (stationary installation)	≥ 4 x Ø
Bending radius (flexible use)	≥ 8 x Ø
Bending cycles	≥ 8 million
Admissible acceleration	max. 5 m/s ²

Features



- M12 male connector, S-coded, straight, 4-pin (3+PE)
- Jacket material: PUR
- Jacket color: black
- Highly resistant to oils, coolants, lubricants and emulsions
- Suitable for drag chain use
- Resistant to vibrations and shocks
- Flame retardant
- Halogen free
- Norms: CE, UKCA and RoHS
- Protection class: IP65, IP67, IP68
- Cable length: 0.5 m

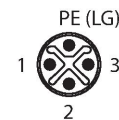
Cable Cross-Section



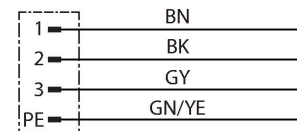
Contact assignment

Technical data

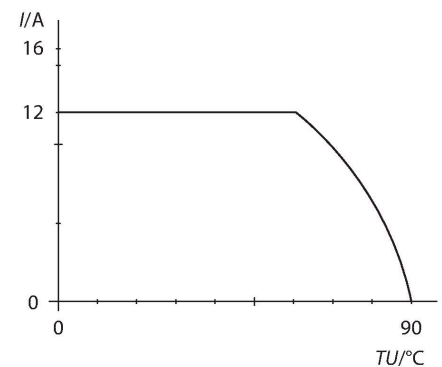
Admissible travel path, horizontal	5 m (at 5 m/s ²)
Torsional stress	± 270 °/m
Ambient temperature range (stationary)	-40...+80 °C
Ambient temperature range (In motion)	-30...+80 °C
Ambient temperature during drag chain operation	-25...+60 °C
Qualified for drag chain use	yes
Halogen-free	yes
Oil-resistant	yes
Flame-retardant	yes



Circuit Diagram



Derating Curve



Accessories

Dimension drawing	Type	ID	
	LABEL-HOLDER-FLEX-PVC	100048170	PVC label holder for identification of extension cables (TEL/TXL product series); for cable diameters: min. 5 mm; dimensions 4 × 18 mm; delivery unit: 50 pcs. per package
	VH2-M12S-M4-2F4	100028588	Small h-splitter, M12 Power, S-coded, 3-pin + PE
	VH3-M12S-M4-3F4	100028592	Large H-splitter, M12 Power, S-coded, 3-pin + PE
	VT2-M12S-M4-2F4	100028580	T-splitter, M12 Power, S-coded, 3-pin + PE
	FW-ERKPM0414-PS-S-0810	100026332	Field-wireable female connector, M12 Power, S-coded, straight, 3-pin + PE, screw terminal connection, cable feedthrough 8.0 to 10 mm, core cross-section/terminal capacity 1.5 to 2.5 mm ² , plastic housing, metal retaining screw
	FW-ERKPM0414-PS-S-0608	100044183	