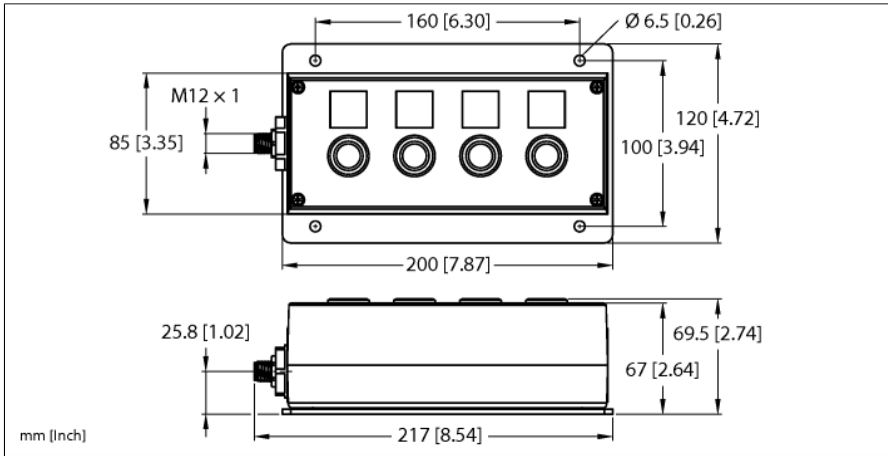


# Ford Process Inspection Box for Connection to IO-Link Master

## 4 Buttons with Lamp

### OPIL-E4-IO3-FE03



- Rugged housing
- Label language: Romanian
- 4 × illuminated push button, white light-up ring

Type	OPIL-E4-IO3-FE03
ID	100036507

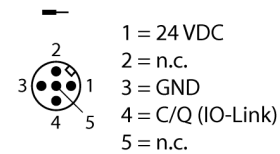
<b>Supply</b>	
Supply voltage	24 VDC
Admissible range	18...30 VDC
Operating current	Max. 150 mA

<b>IO-Link</b>	
Connectivity IO-Link	1 × M12
IO-Link specification	V 1.1
IO-Link port type	Class A
Frame type	Supports all
Transmission rate	COM 2 / 38.4 kbps

<b>Standard/Directive conformity</b>	
Electromagnetic compatibility	Acc. to EN 61131-2:2007

<b>General Information</b>	
Ambient temperature	-40...+70 °C
Storage temperature	-40...+85 °C
Protection class	IP54

#### M12 × 1 IO-Link



## I/O allocation to FIL20-8DXP

			Process data
PROZESS KONTROLLE CONTROL DE PROCESOS PROCESS INSPECTION		Output I/O <sub>7</sub>	Byte.bit offset 0.7
		Input I/O <sub>6</sub>	Byte.bit offset 0.6
PROZESS WIEDERHOLEN REPETIR PROCESO PROCESS REPEAT		Output I/O <sub>5</sub>	Byte.bit offset 0.5
		Input I/O <sub>4</sub>	Byte.bit offset 0.4
PROZESS OK PROCESO OK PROCESS OK		Output I/O <sub>3</sub>	Byte.bit offset 0.3
		Input I/O <sub>2</sub>	Byte.bit offset 0.2
PROZESS NOK PROCESO NOK PROCESS NOK		Output I/O <sub>1</sub>	Byte.bit offset 0.1
		Input I/O <sub>0</sub>	Byte.bit offset 0.0