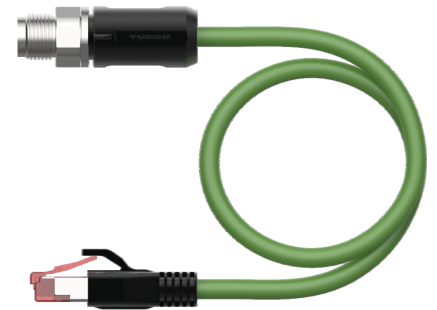
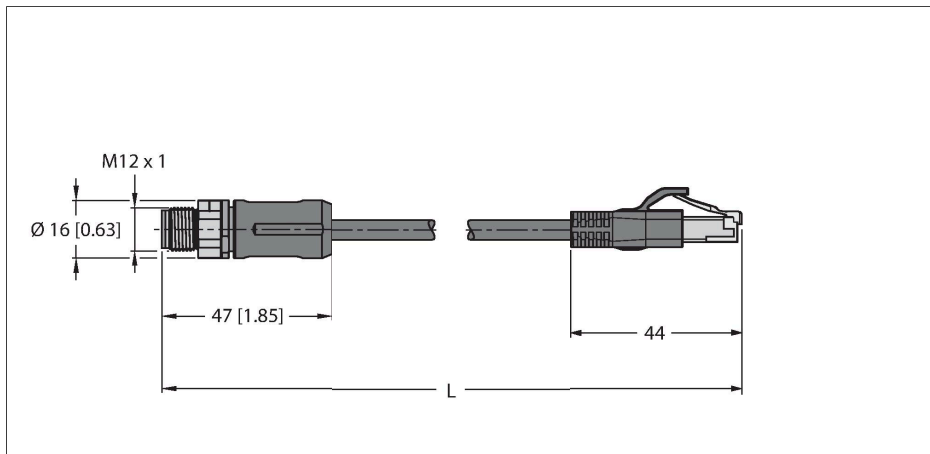


# RSSX-RJ45S-8814-25M

## Industrial Ethernet Cable – Connection Cable



### Technical data

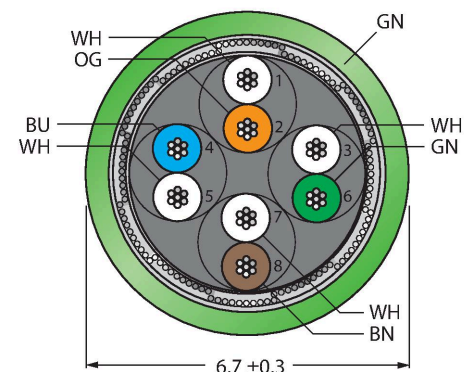
Type	RSSX-RJ45S-8814-25M
ID	100002343
Connector A	Male, M12 × 1, Straight, X-coded
Number of Pins	8
Contacts	Metal, CuZn, Gold-plated
Contact carriers	Plastic, PA, UL 94, Black
Connector body	Plastic, TPU, UL 94, Black
Coupling nut/screw	Brass, GD-Zn, Nickel-plated
Tightening torque (range)	0.4 ... 0.6 Nm (observe max. torque of mating connector!)
Mechanical lifespan	> 100 Mating cycles
Pollution degree	3/2
Protection class	IP67, Only in screwed condition
Connector B	Male, RJ45, Straight
Number of pins	8
Contacts	Metal, CuZn, Gold-plated
Contact carriers	Plastic, PC
Connector body	Plastic, TPU, UL 94
Mechanical life	> 100 Mating cycles
Pollution degree	3/2
Protection class	IP20
Cable	
Network protocol	Ethernet
Cable diameter	Ø 6.7 mm ±0.30
Cable length	25 m
Cable jacket	PUR, Green
Shielding	yes

### Features

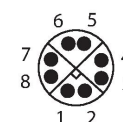


- M12 male connector, straight, X-coded
- M12 male connector, straight, X-coded
- RJ45 male connector, straight, 8-pin
- Cable length: 25 m

### Cable Cross-Section



### Contact assignment



## Technical data

Core insulation	PE
Core cross-section	8 x 0.14 mm <sup>2</sup>
Arrangement of strands	0.16 mm
Core colors	WH(OG) OG;WH(GN) GN;WH(BN) BN;WH(BU) BU
<b>Electrical properties at +20 °C</b>	
Rated voltage	48 V
Test voltage	700 V
Current	0.5 A
<b>Mechanical and chemical properties</b>	
Bending radius (stationary installation)	≥ 5 x Ø
Bending radius (flexible use)	≥ 10 x Ø
Ambient temperature range (stationary)	-40...+80 °C
Ambient temperature range (In motion)	-40...+80 °C
<b>Other Features</b>	
Qualified for drag chain use	yes
PVC-free	yes
UV resistance	yes
Oil-resistant	yes
Flame-retardant	yes
Approvals	cULus

## Circuit Diagram

